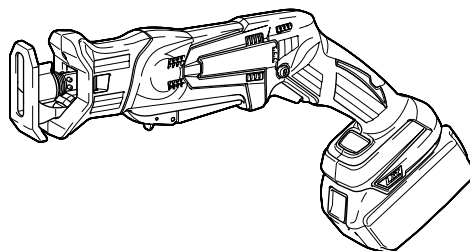
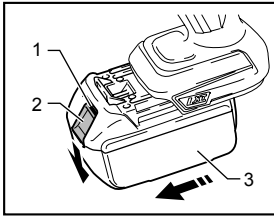




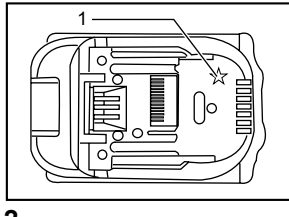
| | | |
|----|-------------------------------------|---------------------------|
| GB | Cordless Recipro Saw | INSTRUCTION MANUAL |
| UA | Бездротова ножівка | ІНСТРУКЦІЯ З ЕКСПЛУАТАЦІЇ |
| PL | Akumulatorowa pilarka brzeszczotowa | INSTRUKCJA OBSŁUGI |
| RO | Ferăstrău alternativ cu acumulator | MANUAL DE INSTRUCȚIUNI |
| DE | Akku Reciprosäge | BEDIENUNGSANLEITUNG |
| HU | Akkumulátoros orrfűrész | HASZNÁLATI KÉZIKÖNYV |
| SK | Akkumulátorová vratná píla | NÁVOD NA OBSLUHU |
| CZ | Akkumulátorová píla ocaska | NÁVOD K OBSLUZE |

DJR143
DJR145
DJR183
DJR185

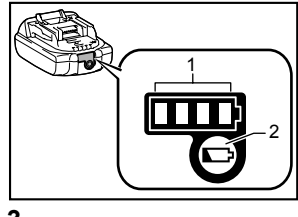




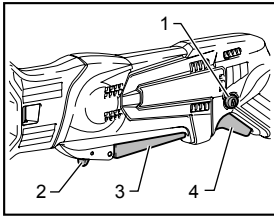
1 014044



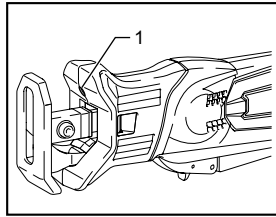
2 012128



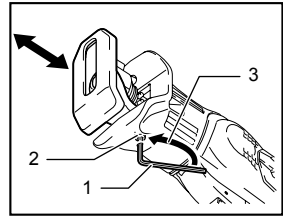
3 015659



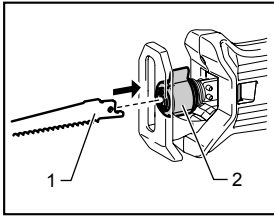
4 014050



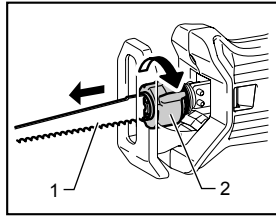
5 014053



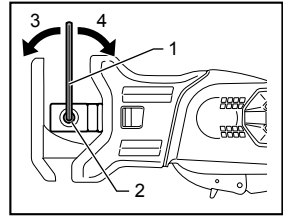
6 014201



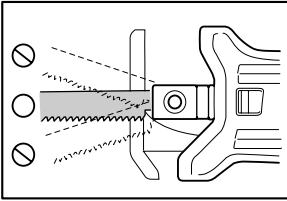
7 014058



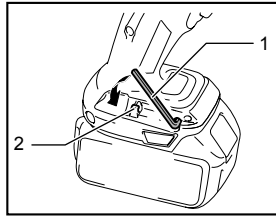
8 014059



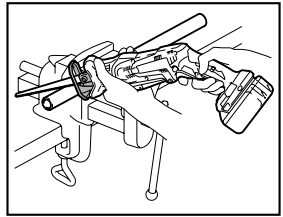
9 014045



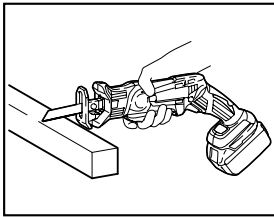
10 014086



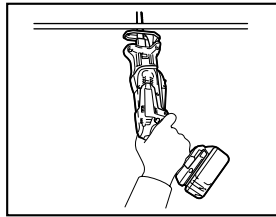
11 014202



12 014054



13 014056



14 014055

ENGLISH (Original instructions)

Explanation of general view

| | | |
|------------------------|-------------------------|-------------------------|
| 1-1. Red indicator | 4-3. Switch lever | 8-1. Saw blade |
| 1-2. Button | 4-4. Switch trigger | 8-2. Blade clamp sleeve |
| 1-3. Battery cartridge | 5-1. Lamp | 9-1. Hex wrench |
| 2-1. Star marking | 6-1. Hex wrench | 9-2. Bolt |
| 3-1. Indicator lamps | 6-2. Hex bolt | 9-3. Loosen |
| 3-2. CHECK button | 6-3. Loosen | 9-4. Tighten |
| 4-1. Lock-off button | 7-1. Recipro saw blade | 11-1. Hex wrench |
| 4-2. Lock-off lever | 7-2. Blade clamp sleeve | 11-2. Protrusion |

SPECIFICATIONS

| Model | DJR143 | DJR145 | DJR183 | DJR185 |
|-----------------------------------------|-----------------------------------------------------------------|--------|--------------------------------------------------------------------------------------------------------|--------|
| Length of stroke | 13 mm | | | |
| Strokes per minute (min ⁻¹) | 0 - 3,000 | | | |
| Max. cutting capacities | Pipe | 50 mm | | |
| | Wood | 50 mm | | |
| Standard battery cartridge | BL1415 / BL1415N / BL1430 / BL1430B / BL1440 / BL1450 / BL1460B | | BL1815 / BL1815N / BL1820 / BL1820B / BL1830 / BL1830B / BL1840 / BL1840B / BL1850 / BL1850B / BL1860B | |
| Overall length | 392 mm (with BL1415 / BL1415N) | | 392 mm (with BL1815 / BL1815N / BL1820 / BL1820B) | |
| | 397 mm (with BL1430 / BL1430B / BL1440 / BL1450 / BL1460B) | | 398 mm (with BL1830 / BL1830B / BL1840 / BL1840B / BL1850 / BL1850B / BL1860B) | |
| Net weight | 1.5 kg (with BL1415 / BL1415N) | | 1.5 kg (with BL1815 / BL1815N / BL1820 / BL1820B) | |
| | 1.7 kg (with BL1430 / BL1430B / BL1440 / BL1450 / BL1460B) | | 1.8 kg (with BL1830 / BL1830B / BL1840 / BL1840B / BL1850 / BL1850B / BL1860B) | |
| Rated voltage | D.C. 14.4 V | | D.C. 18 V | |

• Due to our continuing program of research and development, the specifications herein are subject to change without notice.

• Specifications and battery cartridge may differ from country to country.

• Weight, with battery cartridge, according to EPTA-Procedure 01/2003

ENE020-1

ENG900-1

Intended use

The tool is intended for sawing wood, plastic and ferrous materials.

ENG905-1

Noise

The typical A-weighted noise level determined according to EN60745:

Model DJR143, DJR185

Sound pressure level (L_{pA}): 76 dB (A)

Uncertainty (K): 3 dB (A)

The noise level under working may exceed 80 dB (A).

Model DJR145, DJR183

Sound pressure level (L_{pA}): 77 dB (A)

Uncertainty (K): 3 dB (A)

The noise level under working may exceed 80 dB (A).

Wear ear protection

Vibration

The vibration total value (tri-axial vector sum) determined according to EN60745:

Model DJR143, DJR145

Work mode : cutting boards

Vibration emission ($a_{h,B}$): 7.0 m/s²

Uncertainty (K): 1.5 m/s²

Work mode : cutting wooden beams

Vibration emission ($a_{h,WB}$): 7.0 m/s²

Uncertainty (K): 1.5 m/s²

Model DJR183, DJR185

Work mode : cutting boards

Vibration emission ($a_{h,B}$): 8.0 m/s²

Uncertainty (K): 1.5 m/s²

Work mode : cutting wooden beams

Vibration emission ($a_{h,WB}$) : 7.0 m/s²

Uncertainty (K) : 1.5 m/s²

ENG901-1

- The declared vibration emission value has been measured in accordance with the standard test method and may be used for comparing one tool with another.
- The declared vibration emission value may also be used in a preliminary assessment of exposure.

⚠WARNING:

- The vibration emission during actual use of the power tool can differ from the declared emission value depending on the ways in which the tool is used.
- Be sure to identify safety measures to protect the operator that are based on an estimation of exposure in the actual conditions of use (taking account of all parts of the operating cycle such as the times when the tool is switched off and when it is running idle in addition to the trigger time).

ENH101-17

For European countries only

EC Declaration of Conformity

Makita declares that the following Machine(s):

Designation of Machine:

Cordless Recipro Saw

Model No./ Type: DJR143, DJR145, DJR183, DJR185

Conforms to the following European Directives:

2006/42/EC

They are manufactured in accordance with the following standard or standardized documents:

EN60745

The technical file in accordance with 2006/42/EC is available from:

Makita, Jan-Baptist Vinkstraat 2, 3070, Belgium

31.12.2013



000331

Yasushi Fukaya

Director

Makita, Jan-Baptist Vinkstraat 2, 3070, Belgium

GEA010-1

General Power Tool Safety Warnings

⚠ WARNING Read all safety warnings and all instructions. Failure to follow the warnings and instructions may result in electric shock, fire and/or serious injury.

Save all warnings and instructions for future reference.

CORDLESS RECIPRO SAW SAFETY WARNINGS

1. **Hold power tool by insulated gripping surfaces, when performing an operation where the cutting accessory may contact hidden wiring.** Cutting accessory contacting a "live" wire may make exposed metal parts of the power tool "live" and could give the operator an electric shock.
2. **Use clamps or another practical way to secure and support the workpiece to a stable platform.** Holding the work by hand or against your body leaves it unstable and may lead to loss of control.
3. **Always use safety glasses or goggles.** Ordinary eye or sun glasses are NOT safety glasses.
4. **Avoid cutting nails.** Inspect workpiece for any nails and remove them before operation.
5. **Do not cut oversize workpiece.**
6. **Check for the proper clearance beyond the workpiece before cutting so that the blade will not strike the floor, workbench, etc.**
7. **Hold the tool firmly.**
8. **Make sure the blade is not contacting the workpiece before the switch is turned on.**
9. **Keep hands away from moving parts.**
10. **Do not leave the tool running.** Operate the tool only when hand-held.
11. **Always switch off and wait for the blade to come to a complete stop before removing the blade from the workpiece.**
12. **Do not touch the blade or the workpiece immediately after operation; they may be extremely hot and could burn your skin.**
13. **Do not operate the tool at no-load unnecessarily.**
14. **Always use the correct dust mask/respirator for the material and application you are working with.**
15. **Some material contains chemicals which may be toxic.** Take caution to prevent dust inhalation and skin contact. Follow material supplier safety data.

SAVE THESE INSTRUCTIONS.

⚠WARNING:

DO NOT let comfort or familiarity with product (gained from repeated use) replace strict adherence to safety rules for the subject product. **MISUSE** or failure to follow the safety rules stated in this instruction manual may cause serious personal injury.

IMPORTANT SAFETY INSTRUCTIONS

FOR BATTERY CARTRIDGE

1. Before using battery cartridge, read all instructions and cautionary markings on (1) battery charger, (2) battery, and (3) product using battery.
2. Do not disassemble battery cartridge.
3. If operating time has become excessively shorter, stop operating immediately. It may result in a risk of overheating, possible burns and even an explosion.
4. If electrolyte gets into your eyes, rinse them out with clear water and seek medical attention right away. It may result in loss of your eyesight.
5. Do not short the battery cartridge:
 - (1) Do not touch the terminals with any conductive material.
 - (2) Avoid storing battery cartridge in a container with other metal objects such as nails, coins, etc.
 - (3) Do not expose battery cartridge to water or rain.

A battery short can cause a large current flow, overheating, possible burns and even a breakdown.

6. Do not store the tool and battery cartridge in locations where the temperature may reach or exceed 50 ° C (122 ° F).
7. Do not incinerate the battery cartridge even if it is severely damaged or is completely worn out. The battery cartridge can explode in a fire.
8. Be careful not to drop or strike battery.
9. Do not use a damaged battery.
10. Follow your local regulations relating to disposal of battery.

SAVE THESE INSTRUCTIONS.

Tips for maintaining maximum battery life

1. Charge the battery cartridge before completely discharged.
Always stop tool operation and charge the battery cartridge when you notice less tool power.
2. Never recharge a fully charged battery cartridge.
Overcharging shortens the battery service life.
3. Charge the battery cartridge with room temperature at 10 ° C - 40 ° C (50 ° F - 104 ° F). Let a hot battery cartridge cool down before charging it.
4. Charge the battery cartridge if you do not use it for a long period (more than six months).

FUNCTIONAL DESCRIPTION

⚠CAUTION:

- Always be sure that the tool is switched off and the battery cartridge is removed before adjusting or checking function on the tool.

Installing or removing battery cartridge

Fig.1

⚠CAUTION:

- Always switch off the tool before installing or removing of the battery cartridge.
- **Hold the tool and the battery cartridge firmly when installing or removing battery cartridge.** Failure to hold the tool and the battery cartridge firmly may cause them to slip off your hands and result in damage to the tool and battery cartridge and a personal injury.

To remove the battery cartridge, slide it from the tool while sliding the button on the front of the cartridge.

To install the battery cartridge, align the tongue on the battery cartridge with the groove in the housing and slip it into place. Insert it all the way until it locks in place with a little click. If you can see the red indicator on the upper side of the button, it is not locked completely.

⚠CAUTION:

- Always install the battery cartridge fully until the red indicator cannot be seen. If not, it may accidentally fall out of the tool, causing injury to you or someone around you.
- Do not install the battery cartridge forcibly. If the cartridge does not slide in easily, it is not being inserted correctly.

Battery protection system (Lithium-ion battery with star marking)

Fig.2

Lithium-ion batteries with a star marking are equipped with a protection system. This system automatically cuts off power to the tool to extend battery life.

The tool will automatically stop during operation if the tool and/or battery are placed under one of the following conditions:

- Overloaded:
The tool is operated in a manner that causes it to draw an abnormally high current.
In this situation, release the switch lever/trigger on the tool and stop the application that caused the tool to become overloaded. Then pull the switch lever/trigger again to restart.
If the tool does not start, the battery is overheated. In this situation, let the battery cool before pulling the switch lever/trigger again.
- Low battery voltage:
The remaining battery capacity is too low and the tool will not operate. In this situation, remove and recharge the battery.

Indicating the remaining battery capacity

(Only for battery cartridges with "B" at the end of the model number.)

Fig.3

Press the check button on the battery cartridge to indicate the remaining battery capacity. The indicator lamps light up for few seconds.

| Indicator lamps | | | Remaining capacity |
|-----------------|-----|----------|-------------------------------------|
| Lighted | Off | Blinking | |
| ■ | □ | ◐ | 75% to 100% |
| ■ | ■ | □ | 50% to 75% |
| ■ | ■ | □ | 25% to 50% |
| ■ | □ | □ | 0% to 25% |
| ◐ | □ | □ | Charge the battery. |
| ■ | ■ | □ | The battery may have malfunctioned. |
| □ | □ | ■ | |

015658

NOTE:

- Depending on the conditions of use and the ambient temperature, the indication may differ slightly from the actual capacity.

Switch action

⚠CAUTION:

- Before installing the battery cartridge into the tool, always check to see that the switch lever/trigger actuates properly and returns to the "OFF" position when released.

Fig.4

To prevent the switch lever/trigger from accidentally pulled, the lock-off lever/button are provided.

To start the tool, pull either switch lever or trigger.

- For the switch lever, pull the lock-off lever and then pull the switch lever to start the tool.
- For the switch trigger, depress the lock-off button and then pull the switch trigger to start the tool. The lock-off button can be pressed from either right or left.

The tool speed is increased by increasing pressure on the switch lever/trigger. Release the switch lever/trigger to stop.

NOTICE:

Do not pull the switch lever/trigger hard without pulling the lock-off lever/button. This can cause switch breakage.

Lighting up the front lamp

Fig.5

⚠CAUTION:

- Do not look in the light or see the source of light directly. Pull the switch lever/trigger to light up the lamp. The lamp keeps on lighting while the switch lever/trigger is being pulled. The lamp automatically turns off 10-15 seconds after releasing the switch lever/trigger.

Adjusting the shoe

Fig.6

When the blade loses its cutting efficiency in one place along its cutting edge, reposition the shoe to utilize a sharp, unused portion of its cutting edge. This will help to lengthen the life of the blade.

To reposition the shoe, loosen the bolt with hex wrench. Slide the shoe to the desired position and then tighten the bolt firmly.

ASSEMBLY

⚠CAUTION:

- Always be sure that the tool is switched off and the battery cartridge is removed before carrying out any work on the tool.

Installing or removing the saw blade

⚠CAUTION:

- Always clean out all chips or foreign matter adhering to the blade, blade clamp and/or slider. Failure to do so may cause insufficient tightening of the blade, resulting in a serious injury.

For Model DJR143, DJR183

Fig.7

Insert the reciprocating saw blade into the blade clamp as far as it will go. The blade clamp sleeve rotates and fixes the saw blade. Make sure that the saw blade cannot be extracted even though you try to pull it out.

⚠CAUTION:

- If you do not insert the saw blade deep enough, the saw blade may be ejected unexpectedly during operation. This can be extremely dangerous.

NOTE:

- You can not use the jig saw blade with DJR143 or DJR183.

Fig.8

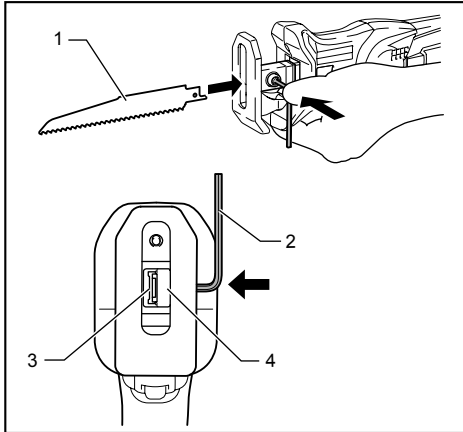
To remove the saw blade, rotate the blade clamp sleeve in the direction of the arrow fully. The saw blade is removed and the blade clamp sleeve is fixed at the released position.

NOTE:

- If you remove the saw blade without rotating the blade clamp sleeve fully, the sleeve may not be fixed. In this case, rotate the blade clamp sleeve fully, then make the sleeve fixed at the released position.

For Model DJR145, DJR185

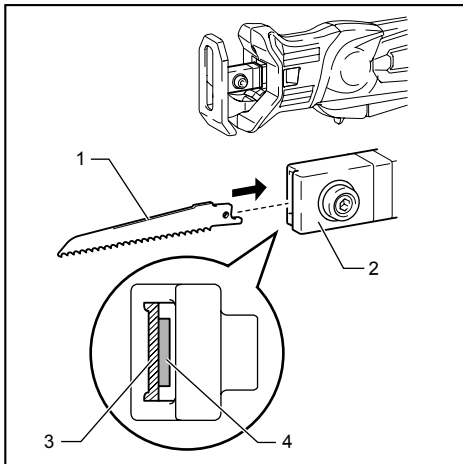
Fig.9



1. Recipro saw blade
2. Hex wrench
3. Hole for reciprocating saw blade
4. Blade clamp

014048

To install the saw blade, loosen the bolt by hex wrench. When installing a reciprocating saw blade, press the bolt with the hex wrench to open the slot during inserting the blade.



1. Saw blade
2. Blade clamp
3. Hole for reciprocating saw blade
4. Hole for jig saw blade

014047

Fig.10

You can use both jig saw blades (B type) and reciprocating saw blades according to your work. Insert the saw blade straight into the blade clamp and tighten it by hex wrench. Pull the saw blade lightly to make sure that the saw blade does not fall off during operation.

To remove the saw blade, follow the installation procedure in reverse.

Hex wrench storage

Fig.11

When not in use, store the hex wrench as shown in the figure to keep it from being lost.

OPERATION

⚠CAUTION:

- Always press the shoe firmly against the workpiece during operation. If the shoe is held away from the workpiece during operation, strong vibration and/or twisting will be produced, causing the blade to snap dangerously.
- Always wear gloves to protect your hands from hot flying chips when cutting metal.
- Be sure to always wear suitable eye protection which conforms with current national standards.
- Always use a suitable coolant (cutting oil) when cutting metal. Failure to do so will cause premature blade wear.

Fig.12

Press the shoe firmly against the workpiece. Do not allow the tool to bounce. Bring the saw blade into light contact with the workpiece. First, make a pilot groove using a slower speed. Then use a faster speed to continue cutting.

Fig.13

Fig.14

- You can use the switch lever or trigger according to your work.

NOTE:

- If the tool is operated continuously until the battery cartridge has discharged, allow the tool to rest for 15 minutes before proceeding with a fresh battery.

MAINTENANCE

⚠CAUTION:

- Always be sure that the tool is switched off and the battery cartridge is removed before attempting to perform inspection or maintenance.
- Never use gasoline, benzene, thinner, alcohol or the like. Discoloration, deformation or cracks may result.

To maintain product SAFETY and RELIABILITY, repairs, any other maintenance or adjustment should be performed by Makita Authorized Service Centers, always using Makita replacement parts.

OPTIONAL ACCESSORIES

CAUTION:

- These accessories or attachments are recommended for use with your Makita tool specified in this manual. The use of any other accessories or attachments might present a risk of injury to persons. Only use accessory or attachment for its stated purpose.

If you need any assistance for more details regarding these accessories, ask your local Makita Service Center.

- Recipro saw blades
- Jig saw blades (only for Model DJR145, DJR185)
- Makita genuine battery and charger

NOTE:

- Some items in the list may be included in the tool package as standard accessories. They may differ from country to country.

УКРАЇНСЬКА (Оригінальні інструкції)

Пояснення до загального виду

| | | |
|---------------------------------------------|------------------------------------|----------------------------|
| 1-1. Червоний індикатор | 4-3. Важіль вимикача | 8-2. Муфта затиску полотна |
| 1-2. Кнопка | 4-4. Кнопка вимикача | 9-1. Шестигранний ключ |
| 1-3. Касета з акумулятором | 5-1. Ліхтар | 9-2. Болт |
| 2-1. Маркувальна зірочка | 6-1. Шестигранний ключ | 9-3. Послабити |
| 3-1. Індикаторні лампи | 6-2. Болт із шестигранною голівкою | 9-4. Затягнути |
| 3-2. Кнопка ПЕРЕВІРКА | 6-3. Послабити | 11-1. Шестигранний ключ |
| 4-1. Кнопка блокування вимкненого положення | 7-1. Полотно ножівки | 11-2. Виступ |
| 4-2. Розчіплюючий важіль | 7-2. Муфта затиску полотна | |
| | 8-1. Диск пили | |

ТЕХНІЧНІ ХАРАКТЕРИСТИКИ

| Модель | | DJR143 | DJR145 | DJR183 | DJR185 |
|--------------------------------------|----------|-----------------------------------------------------------------|--------|--------------------------------------------------------------------------------------------------------|--------|
| Довжина ходу | | 13 мм | | | |
| Ходів за хвилину (хв ⁻¹) | | 0 - 3000 | | | |
| Макс. ріжуча спроможність | Труба | 50 мм | | | |
| | Деревина | 50 мм | | | |
| Стандартна касета з акумулятором | | BL1415 / BL1415N / BL1430 / BL1430B / BL1440 / BL1450 / BL1460B | | BL1815 / BL1815N / BL1820 / BL1820B / BL1830 / BL1830B / BL1840 / BL1840B / BL1850 / BL1850B / BL1860B | |
| Загальна довжина | | 392 мм (у разі з BL1415 / BL1415N) | | 392 мм (у разі з BL1815 / BL1815N / BL1820 / BL1820B) | |
| | | 397 мм (у разі з BL1430 / BL1430B / BL1440 / BL1450 / BL1460B) | | 398 мм (у разі з BL1830 / BL1830B / BL1840 / BL1840B / BL1850 / BL1850B / BL1860B) | |
| Чиста вага | | 1,5 кг (у разі з BL1415 / BL1415N) | | 1,5 кг (у разі з BL1815 / BL1815N / BL1820 / BL1820B) | |
| | | 1,7 кг (у разі з BL1430 / BL1430B / BL1440 / BL1450 / BL1460B) | | 1,8 кг (у разі з BL1830 / BL1830B / BL1840 / BL1840B / BL1850 / BL1850B / BL1860B) | |
| Номинальна напруга | | 14,4 В пост. струму | | 18 В пост. струму | |

• Через те, що ми не припиняємо програми досліджень і розвитку, наведені тут технічні характеристики можуть бути змінені без попередження.

• Технічні характеристики приладу та касета з акумулятором можуть відрізнятися в різних країнах.

• Вага разом з касетою з акумулятором відповідно до EPTA-Procedure 01/2003

ENE020-1

Призначення

Інструмент призначено для різання деревини, пластмаси та металу.

ENG905-1

Шум

Рівень шуму за шкалою А у типовому виконанні, визначений відповідно до EN60745:

Модель DJR143, DJR185

Рівень звукового тиску (L_{pA}): 76 дБ (А)

Похибка (К): 3 дБ (А)

Рівень шуму під час роботи може перевищувати 80 дБ (А).

Модель DJR145, DJR183

Рівень звукового тиску (L_{pA}): 77 дБ (А)

Похибка (К): 3 дБ (А)

Рівень шуму під час роботи може перевищувати 80 дБ (А).

Користуйтеся засобами захисту слуху

ENG900-1

Вібрація

Загальна величина вібрації (сума трьох векторів) визначена згідно з EN60745:

Модель DJR143, DJR145

Режим роботи: пиляння дощок

Вібрація ($a_{h,v}$): 7,0 м/с²

Похибка (К): 1,5 м/с²

Режим роботи: різання дерев'яних балок

Вібрація ($a_{h,wB}$): 7,0 м/с²

Похибка (К): 1,5 м/с²

Модель DJR183, DJR185

Режим роботи: пиляння дощок

Вібрація ($a_{h,b}$): 8,0 м/с²Похибка (K): 1,5 м/с²

Режим роботи: різання дерев'яних балок

Вібрація ($a_{h,w,b}$): 7,0 м/с²Похибка (K): 1,5 м/с²

ENG901-1

- Заявлене значення вібрації було виміряно у відповідності до стандартних методів тестування та може використовуватися для порівняння одного інструмента з іншим.
- Заявлене значення вібрації може також використовуватися для попередньої оцінки впливу.

⚠УВАГА:

- Залежно від умов використання вібрація під час фактичної роботи інструмента може відрізнитися від заявленого значення вібрації.
- Забезпечте належні запобіжні заходи для захисту оператора, що відповідатимуть умовам використання інструмента (слід брати до уваги всі складові робочого циклу, такі як час, коли інструмент вимкнено та коли він починає працювати на холостому ході під час запуску).

ENH101-17

Тільки для країн Європи

Декларація про відповідність стандартам ЄС**Компанія Makita наголошує на тому, що обладнання:**

Позначення обладнання:

Бездротова ножівка

№ моделі/тип: DJR143, DJR145, DJR183, DJR185

Відповідає таким Європейським Директивам: 2006/42/ЄС

Обладнання виготовлене відповідно до таких стандартів або стандартизованих документів:

EN60745

Технічну інформацію відповідно до 2006/42/ЄС можна отримати:

Makita, Jan-Baptist Vinkstraat 2, 3070, Бельгія

31.12.2013



000331

Ясусі Фукайа
Директор

Makita, Jan-Baptist Vinkstraat 2, 3070, Бельгія

Застереження стосовно техніки безпеки при роботі з електроприладами

⚠ УВАГА! Прочитайте усі застереження стосовно техніки безпеки та всі інструкції. Недотримання даних застережень та інструкцій може призвести до ураження струмом та виникнення пожежі та/або серйозних травм.

Збережіть усі інструкції з техніки безпеки та експлуатації на майбутнє.

GEB048-2

ПОПЕРЕДЖЕННЯ ПРО НЕБЕЗПЕКУ ПІД ЧАС РОБОТИ З БЕЗДРОВОЮ ШАБЕЛЬНОЮ ПИЛОЮ

1. Тримайте електроприлад за ізольовані поверхні держака під час виконання дії, за якої він може зачепити сховану електропроводку. Торкання ріжучим приладом струмоведучої проводки може призвести до передання напруги до оголених металевих частин інструмента та ураженню оператора електричним струмом.
2. За допомогою лещат або інших затискових пристроїв слід надійно закріпити деталь на стійкій платформі. Утримання деталі руками або тілом не фіксує деталі та може призвести до втрати контролю.
3. Слід завжди одягати захисні окуляри або лінзи. Звичайні окуляри або темні окуляри для захисту від сонця НЕ Є захисними окулярами.
4. Слід уникати різання цвяхів. Перед початком роботи огляньте та заберіть усі цвяхи з деталі.
5. Не слід різати занадто великі деталі.
6. Перед початком різання обов'язково перевірте, щоб нижче деталі був належний зазор для того, щоб полотно не вдарилося о підлогу, верстат і т.д.
7. Міцно тримайте інструмент.
8. Перевірте, щоб полотно не торкалося деталі до його увімкнення.
9. Тримай руки на відстані від рухомих частин.
10. Не залишайте інструмент працюючим. Працюйте з інструментом тільки тоді, коли тримаєте його в руках.
11. Обов'язково після вимкнення інструменту заждіть доки полотно не зупиниться повністю, та лише тоді знімайте його з деталі.

12. Не торкайся полотна або деталі одразу після різання, вони можуть бути дуже гарячими та призвести до опіку шкіри.
 13. Не слід дуже довго залишати інструмент працювати на холостому ході.
 14. Завжди використовуйте пилозахисну маску/респіратор що відповідають області застосування та матеріалу, що ви обробляєте.
 15. Деякі матеріали мають у своєму складі токсичні хімічні речовини. Будьте уважні, щоб запобігти вдихання пилу та контактів зі шкірою. Дотримуйтеся правил техніки безпеки виробника матеріалу .
6. Не слід зберігати інструмент та касету з акумулятором в містах, де температура може сягнути та перевищити 50гр.° C (122° F).
 7. Не слід спалювати касету з акумулятором навіть, якщо вона була неодноразово пошкоджена або повністю спрацьована. Касета з акумулятором може вибухнути в огні.
 8. Не слід кидати або ударяти акумулятор.
 9. Не слід використовувати пошкоджений акумулятор.
 10. Дотримуйтеся норм місцевого законодавства стосовно утилізації акумуляторів.

ЗБЕРІГАЙТЕ ЦІ ВКАЗІВКИ.

⚠УВАГА:

НІКОЛИ НЕ СЛІД втрачати пильності та розслаблюватися під час користування виробом (що трапляється при частому використанні); слід завжди строго дотримуватися правил безпеки під час використання цього пристрою. **НЕНАЛЕЖНЕ ВИКОРИСТАННЯ** або недотримання правил безпеки, викладених в цьому документі, може призвести до серйозних травм.

ENC007-9

ВАЖЛИВІ ІНСТРУКЦІЇ БЕЗПЕКИ ДЛЯ КАСЕТИ АКУМУЛЯТОРА

1. Перед тим як користуватися касетою акумулятора, слід прочитати усі інструкції та попереджуючі відмітки щодо (1) зарядний пристрій акумулятора, (2) акумулятор та (3) вироби, що працюють від акумулятора.
2. Не слід розбирати касету акумулятора.
3. Якщо період роботи дуже покоротшав, слід негайно припинити користування. Це може призвести до ризику перегріву, опіку та навіть вибуху.
4. Якщо електроліт потрапив до очей, слід промити їх чистою водою та негайно звернутися за медичного закладу. Це може призвести до втрати зору.
5. Не закоротить касету акумулятора.
 - (1) Не слід торкатися клем будь яким струмопровідним матеріалом.
 - (2) Не слід зберігати касету акумулятора в ємності з іншими металевими предметами, такими як цвяхи, монети і т.д.
 - (3) Не виставляйте касету з батареєю під дощ чи сніг.

Коротке замикання може призвести до появи значного струму, перегріву та можливим опікам та навіть поломки.

ЗБЕРІГАЙТЕ ЦІ ВКАЗІВКИ.

Поради по забезпеченню максимального строку експлуатації акумулятора

1. Касету з акумулятором слід заряджати до того, як він розрядиться повністю. Завжди слід зупинити роботу інструменту та зарядити акумулятор, якщо ви помітили зменшення потужності інструменту.
2. Ніколи не слід заряджати повторно повністю заряджену касету з акумулятором. Перезарядження скорочує строк експлуатації акумулятора.
3. Касету з акумулятором слід заряджати при кімнатній температурі 10° C - 40° C (50° F - 104° F). Перед тим як заряджати касету з акумулятором слід зачекати доки вона охолоне.
4. Якщо Ви не користувалися касетою з акумулятором упродовж тривалого часу (більше шести місяців), її необхідно зарядити.

ІНСТРУКЦІЯ З ВИКОРИСТАННЯ

⚠ОБЕРЕЖНО:

- Завжди перевіряйте, щоб прилад був вимкнений, а касета з акумулятором була знята, перед регулюванням або перевіркою функціонування інструмента.

Встановлення та зняття касети з акумулятором

мал.1

⚠ОБЕРЕЖНО:

- Завжди вимикайте інструмент перед встановленням або зніманням касети з акумулятором.
- Під час встановлення або зняття касети з акумулятором надійно утримуйте інструмент і касету з акумулятором.** Інакше інструмент або касета з акумулятором можуть вислизнути з рук, що може призвести до травм або пошкодження інструмента й касети з акумулятором.

Щоб зняти касету з акумулятором, слід витягнути її з інструмента, натиснувши на кнопку в передній частині касети.

Щоб установити касету з акумулятором, слід сумістити шпонку касети з акумулятором із пазом у корпусі та вставити касету на місце. Уставляйте її, доки не почуєте клацання. Якщо на верхній частині кнопки видно червоний індикатор, це означає, що вона заблокована не повністю.

⚠ОБЕРЕЖНО:

- Завжди уставляйте касету повністю, аж поки червоний індикатор стане невидимим. Якщо цього не зробити, касета може випадково випасти з інструмента та завдати травми вам або людям, що знаходяться поруч.
- Не встановлюйте касету з акумулятором із зусиллям. Якщо касета не вставляється легко, то це означає, що Ви її невірно вставляєте.

Система захисту акумулятора (літій-іонний акумулятор з маркувальною зірочкою)

мал.2

Літій-іонні акумулятори з маркувальною зірочкою оснащені системою захисту. Ця система автоматично вимикає живлення інструмента з метою збільшення робочого часу акумулятора.

Інструмент буде автоматично вимкнений під час роботи, якщо він та/або акумулятор знаходяться в таких умовах:

- Перенавантаження:

Інструмент споживає струм занадто високої потужності під час роботи.

У такому разі відпустіть важіль/курок перемикача, розташований на інструменті, та припиніть роботу, що призвела до перенавантаження інструмента. Щоб знову запустити інструмент, ще раз

натисніть на важіль/курок перемикача.

Якщо інструмент неможливо запустити, це означає, що акумулятор перегрівся. У такому разі дозвольте акумулятору охолонути, перш ніж знову натиснути на важіль/курок перемикача.

- Низька напруга акумулятора:

Залишковий заряд акумулятора занадто низький, тому інструмент не буде працювати. У такому разі змініть та зарядіть акумулятор.

Відображення залишкового заряду акумулятора

(Тільки для касети з акумулятором, номер моделі якої закінчується літерою "B".)

мал.3

Натисніть кнопку перевірки залишкового заряду акумулятора на касеті з акумулятором, щоб відобразити залишковий заряд акумулятора. Індикатори горітимуть декілька секунд.

| Індикаторні лампи | | | Залишковий заряд |
|-------------------|-------|-------|-------------------------------------------------|
| Горить | ВИМК. | Мигає | |
| ■ | □ | ◐ | 75 % - 100 % |
| ■ | ■ | ■ | |
| ■ | ■ | □ | 50 % - 75 % |
| ■ | ■ | □ | 25 % - 50 % |
| ■ | □ | □ | 0 % - 25 % |
| ◐ | □ | □ | Зарядіть акумулятор. |
| ■ | ■ | □ | Можливо, виникли проблеми в роботі акумулятора. |
| □ | □ | ■ | |

015658

ПРИМІТКА:

- Залежно від умов використання та температури оточуючого середовища показання можуть незначним чином відрізнятися від дійсного ресурсу.

Дія вимикача

⚠ОБЕРЕЖНО:

- Перед тим як вставляти касету з акумулятором в інструмент, слід перевірити належну роботу важеля/курка перемикача, тобто щоб він повертався у положення "OFF" (ВИМК.), коли його відпущено.

мал.4

Для того щоб запобігти випадковому натисканню важеля/курка перемикача, передбачена кнопка/важіль блокування вимкненого положення.

Для того щоб запустити інструмент, слід просто натиснути на важіль або курок перемикача.

- Щодо важеля перемикача, для того щоб запустити інструмент, натисніть на важіль блокування вимкненого положення, а потім натисніть на важіль перемикача.
- Щодо курка перемикача, для того щоб запустити інструмент, віджіміть кнопку блокування вимкненого положення, а потім натисніть на курок перемикача. Кнопку блокування вимкненого положення можна натиснути зліва чи справа.

Швидкість обертання інструмента збільшується шляхом збільшення тиску на важіль/курок перемикача. Для зупинення роботи важіль/курок слід відпустити.

ПРИМІТКА:

Не можна із силою натискати на важіль/курок перемикача, не натиснувши на кнопку/важіль блокування вимкненого положення. Це може призвести до поломки перемикача.

Увімкнення переднього підсвічування

мал.5

⚠ОБЕРЕЖНО:

- Не дивіться на світло або безпосередньо на джерело світла.

Потягніть важіль/курок перемикача, щоб увімкнути підсвічування. Підсвічування горітиме, доки натиснуто важіль/курок перемикача.

Підсвічування автоматично вимикається через 10-15 секунд після того, як важіль/курок перемикача було відпущено.

Регулювання башмака

мал.6

Коли полотно втрачає свою ріжучу спроможність в одному місці на ріжучій кромці, слід змінити положення башмака, щоб використовувати гостру та невикористану частину ріжучої кромки. Це дасть можливість подовжити термін служби полотна.

Для того щоб змінити положення башмака, послабте болт за допомогою шестигранного ключа.

Пересуньте башмак у необхідне положення, після чого міцно затягніть болт.

КОМПЛЕКТУВАННЯ

⚠ОБЕРЕЖНО:

- Завжди перевіряйте, щоб прилад був вимкнений, а касета з акумулятором була знята, перед тим, як проводити будь-які роботи на інструменті.

Встановлення та зняття полотна пили

⚠ОБЕРЕЖНО:

- Завжди здійснюйте чистку полотна, затиску полотна та/або повзунка від стружки або сторонніх речовин. Невиконання цієї умови може призвести до недостатнього затягування полотна, що може спричинити серйозні травми.

Для моделі DJR143, DJR183

мал.7

Уставте полотно ножівки у затиск полотна до упору. Муфта затиску полотна повернеться та зафіксує полотно. Переконайтеся, що полотно навіть у разі здійснення наполегливої спроби неможливо витягнути.

⚠ОБЕРЕЖНО:

- Якщо полотно вставити недостатньо глибоко, то воно може несподівано вискочити під час роботи. Це дуже небезпечно.

ПРИМІТКА:

- З DJR143 або DJR183 Ви не можете використовувати лобзикове полотно.

мал.8

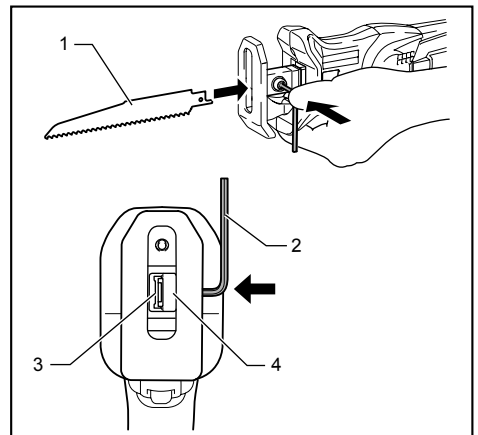
Для зняття полотна слід до упору повернути муфту затиску полотна у напрямку, що вказаний стрілкою. Полотно знімається, а муфта затиску фіксується в розблокованому положенні.

ПРИМІТКА:

- Якщо полотно знімати не повернувши до упору муфту затиску полотна, то муфту буде неможливо зафіксувати. В такому випадку слід до упору повернути затиск полотна, а потім зафіксувати муфту в розблокованому положенні.

Для моделі DJR145, DJR185

мал.9

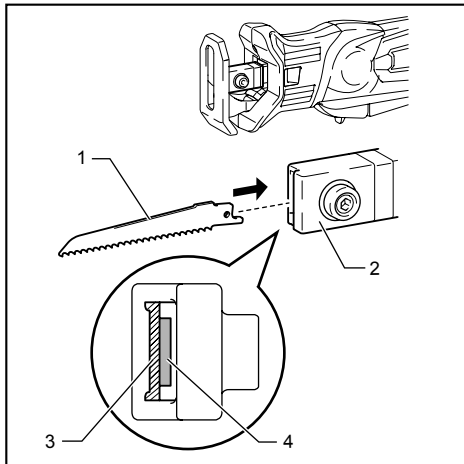


1. Полотно ножівки
2. Шестигранний ключ
3. Отвір для полотна ножівки
4. Затиск полотна

014048

Для того щоб встановити полотно, за допомогою шестигранного ключа слід послабити болт.

Під час установлення полотна ножівки за допомогою шестигранного ключа слід натиснути на болт, щоб відкрити отвір і вставити полотно.



1. Диск пили
2. Затиск полотна
3. Отвір для полотна ножівки
4. Отвір для лобзикового полотна

014047

мал.10

Під час роботи ви можете використовувати як лобзикові полотна (тип В), так і полотна ножівки. Прямо уставьте полотно в затискач полотна та закріпіть його, використовуючи шестигранний ключ. Злегка потягніть полотно, щоб переконатися у тому, що воно триматиметься міцно під час експлуатації. Для того щоб зняти полотно, виконайте процедуру його встановлення у зворотному порядку.

Зберігання шестигранного ключа

мал.11

Коли шестигранний ключ не використовується, щоб він не загубився, його слід зберігати як показано на малюнку.

ЗАСТОСУВАННЯ

⚠ОБЕРЕЖНО:

- Під час роботи слід міцно притискати башмак до деталі. Якщо башмак не торкається деталі під час роботи, то це призведе до сильної вібрації та/або скручування, та до небезпечного заїдання полотна.
- Слід завжди вдягати рукавички для захисту рук від гарячої тирси, що розлітається під час різання металу.
- Слід завжди вдягати засоби для захисту очей, що відповідають належним місцевим стандартам.
- Під час різання металу завжди застосуйте відповідний охолоджувач (охолоджувальне мастило). Невиконання цієї умови може спричинити до передчасного зношення полотна.

мал.12

Щільно притисніть башмак до деталі. Не дозволяйте інструменту дрижати. Злегка торкніться полотном деталі. Спочатку зробіть контрольний пропил із повільнішою швидкістю. А потім продовжуйте пиляння із більшою швидкістю.

мал.13

мал.14

- Під час роботи ви можете користуватися або курком, або важелем перемикача.

ПРИМІТКА:

- Якщо інструмент експлуатується постійно, доки не розрядиться касета з акумулятором, то перед тим, як встановлювати новий акумулятор, інструментові треба дати відпочити протягом 15 хвилин.

ТЕХНІЧНЕ ОБСЛУГОВУВАННЯ

⚠ОБЕРЕЖНО:

- Завжди перевіряйте, щоб прилад був вимкнений, а касета з акумулятором була знята, перед проведенням перевірки або обслуговування.
- Ніколи не використовуйте газолін, бензин, розріджувач, спирт та подібні речовини. Їх використання може призвести до зміни кольору, деформації та появи тріщин.

Для того, щоб підтримувати БЕЗПЕКУ та НАДІЙНІСТЬ, ремонт, технічне обслуговування або регулювання мають виконувати уповноважені центри обслуговування "Makita", де використовуються лише стандартні запчастини "Makita".

ДОДАТКОВЕ ПРИЛАДДЯ

⚠ОБЕРЕЖНО:

- Це оснащення або приладдя рекомендовано для використання з інструментами "Makita", що описані в інструкції з експлуатації. Використання якогось іншого оснащення або приладдя може спричинити травмування. Оснащення або приладдя слід використовувати лише за призначенням.

У разі необхідності, отримати допомогу в більш детальному ознайомленні з оснащенням звертайтеся до місцевого Сервісного центру "Makita".

- Полотна ножівки
- Лобзикові полотна (тільки для моделі DJR145, DJR185)
- Оригінальний акумулятор та заряджаючий пристрій Makita

ПРИМІТКА:

- Деякі елементи списку можуть входити до комплекту інструмента як стандартне приладдя. Вони можуть відрізнятися залежно від країни.

POLSKI (Oryginalna instrukcja)

Objaśnienia do widoku ogólnego

| | | |
|----------------------------------|--------------------------------------|---------------------------------|
| 1-1. Czerwony element | 4-3. Dźwignia przełącznika | 8-1. Tarcza |
| 1-2. Przycisk | 4-4. Spust przełącznika | 8-2. Tuleja zacisku brzeszczotu |
| 1-3. Akumulator | 5-1. Lampka | 9-1. Klucz sześciokątny |
| 2-1. Znak gwiazdki | 6-1. Klucz sześciokątny | 9-2. Śruba |
| 3-1. Kontrolki | 6-2. Śruba sześciokątna | 9-3. Odkręcanie |
| 3-2. Przycisk CHECK (SPRAWDŹ) | 6-3. Odkręcanie | 9-4. Dokręcić |
| 4-1. Przycisk blokady | 7-1. Brzeszczot do pilarki posuwowej | 11-1. Klucz sześciokątny |
| 4-2. Dźwignia wyłączenia blokady | 7-2. Tuleja zacisku brzeszczotu | 11-2. Występ |

SPECYFIKACJE

| Model | DJR143 | DJR145 | DJR183 | DJR185 |
|--------------------------------------------------|-----------------------------------------------------------------|--------|--------------------------------------------------------------------------------------------------------|--------|
| Długość skoku | 13 mm | | | |
| Liczba oscylacji na minutę (min^{-1}) | 0 - 3 000 | | | |
| Maks. głębokość cięcia | Rura | 50 mm | | |
| | Drewno | 50 mm | | |
| Standardowy akumulator | BL1415 / BL1415N / BL1430 / BL1430B / BL1440 / BL1450 / BL1460B | | BL1815 / BL1815N / BL1820 / BL1820B / BL1830 / BL1830B / BL1840 / BL1840B / BL1850 / BL1850B / BL1860B | |
| Długość całkowita | 392 mm (z BL1415 / BL1415N) | | 392 mm (z BL1815 / BL1815N / BL1820 / BL1820B) | |
| | 397 mm (z BL1430 / BL1430B / BL1440 / BL1450 / BL1460B) | | 398 mm (z BL1830 / BL1830B / BL1840 / BL1840B / BL1850 / BL1850B / BL1860B) | |
| Ciężar netto | 1,5 kg (z BL1415 / BL1415N) | | 1,5 kg (z BL1815 / BL1815N / BL1820 / BL1820B) | |
| | 1,7 kg (z BL1430 / BL1430B / BL1440 / BL1450 / BL1460B) | | 1,8 kg (z BL1830 / BL1830B / BL1840 / BL1840B / BL1850 / BL1850B / BL1860B) | |
| Napięcie znamionowe | Prąd stały 14,4 V | | Prąd stały 18 V | |

- W związku ze stale prowadzonym przez naszą firmę programem badawczo-rozwojowym, niniejsze specyfikacje mogą ulec zmianom bez wcześniejszego powiadomienia.
- W innych krajach urządzenie może mieć odmiennie parametry techniczne i może być wyposażone w inny akumulator.
- Waga urządzenia wraz z akumulatorem obliczona zgodnie z procedurą EPTA 01/2003

ENE020-1

Przeznaczenie

Narzędzie przeznaczone jest do cięcia drewna, tworzyw sztucznych i materiałów żelaznych.

ENG905-1

Poziom hałasu i drgań

Typowy równoważny poziom dźwięku A określony w oparciu o EN60745:

Model DJR143, DJR185

Poziom ciśnienia akustycznego (L_{pA}): 76 dB (A)

Niepewność (K): 3 dB (A)

Poziom hałasu podczas pracy może przekraczać 80 dB (A).

Model DJR145, DJR183

Poziom ciśnienia akustycznego (L_{pA}): 77 dB (A)

Niepewność (K): 3 dB (A)

Poziom hałasu podczas pracy może przekraczać 80 dB (A).

Należy stosować ochroniacze na uszy

ENG900-1

Drgania

Całkowita wartość poziomu drgań (suma wektorów w 3 osiach) określona zgodnie z normą EN60745:

Model DJR143, DJR145

Tryb pracy: cięcie płyt

Emisja drgań ($a_{h,B}$): 7,0 m/s^2

Niepewność (K): 1,5 m/s^2

Tryb pracy: cięcie drewnianych belek

Emisja drgań ($a_{h,WB}$): 7,0 m/s^2

Niepewność (K): 1,5 m/s^2

Model DJR183, DJR185

Tryb pracy: cięcie płyt

Emisja drgań ($a_{h,B}$): 8,0 m/s²Niepewność (K): 1,5 m/s²

Tryb pracy: cięcie drewnianych belek

Emisja drgań ($a_{h,WB}$): 7,0 m/s²Niepewność (K): 1,5 m/s²

ENG901-1

- Deklarowana wartość wytwarzanych drgań została zmierzona zgodnie ze standardową metodą testową i można ją wykorzystać do porównywania narzędzi.
- Deklarowaną wartość wytwarzanych drgań można także wykorzystać we wstępnej ocenie narażenia.

⚠️ OSTRZEŻENIE:

- Drgania wytwarzane podczas rzeczywistego użytkowania elektronarzędzia mogą się różnić od wartości deklarowanej, w zależności od sposobu jego użytkowania.
- W oparciu o szacowane narażenie w rzeczywistych warunkach użytkowania należy określić środki bezpieczeństwa w celu ochrony operatora (uwzględniając wszystkie elementy cyklu działania, tj. czas, kiedy narzędzie jest wyłączone i kiedy pracuje na biegu jałowym, a także czas, kiedy jest włączone).

ENH101-17

Dotyczy tylko krajów europejskich**Deklaracja zgodności UE****Firma Makita oświadcza, że poniższe urządzenie/-a:**

Oznaczenie maszyny:

Akumulatorowa pilarka brzeszczotowa

Nr modelu / Typ: DJR143, DJR145, DJR183, DJR185

Jest zgodne z wymogami określonymi w następujących dyrektywach europejskich:

2006/42/EC

Jest/są produkowane zgodnie z następującymi normami lub dokumentami normalizacyjnymi:

EN60745

Dokumentacja techniczna zgodna z wymaganiami dyrektywy 2006/42/WE jest dostępna w:

Makita, Jan-Baptist Vinkstraat 2, 3070, Belgia

31.12.2013



000331

Yasushi Fukaya

Dyrektor

Makita, Jan-Baptist Vinkstraat 2, 3070, Belgia

Ogólne zasady bezpieczeństwa obsługi elektronarzędzi

⚠️ OSTRZEŻENIE Przeczytaj wszystkie ostrzeżenia i instrukcje. Nie przestrzeganie ich może prowadzić do porażeń prądem, pożarów i/lub poważnych obrażeń ciała.

Wszystkie ostrzeżenia i instrukcje należy zachować do późniejszego wykorzystania.

GEB048-2

OSTRZEŻENIA DOTYCZĄCE BEZPIECZNEJ EKSPLOATACJI BEZPRZEWODOWEJ PIŁY SZABLASTEJ

1. Gdy narzędzie podczas pracy może zetknąć się z ukrytymi przewodami elektrycznymi, należy trzymać urządzenie za izolowane uchwyty. Przecięcie przewodu elektrycznego pod napięciem powoduje, że również odsłonięte elementy metalowe narzędzia znajdują się pod napięciem, grożąc porażeniem operatora prądem elektrycznym.
2. Należy używać zacisków lub innych praktycznych sposobów mocowania obrabianego przedmiotu do stabilnej podstawy i jego podparcia. Przytrzymywanie obrabianego przedmiotu ręką lub opieranie go o ciało nie gwarantuje stabilności i może prowadzić do utraty panowania.
3. Należy zawsze używać okularów ochronnych lub gogli. Zwykłe okulary bądź okulary przeciwsłoneczne NIE są okularami ochronnymi.
4. Nie tnij gwoździ. Przed przystąpieniem do pracy należy skontrolować, czy obrabiany element nie zawiera gwoździ i ewentualnie je usunąć.
5. Nie wolno ciąć zbyt dużych przedmiotów.
6. Przed przystąpieniem do cięcia należy sprawdzić, czy za obrabianym elementem jest wystarczająco dużo wolnego miejsca, aby tarcza nie uderzała w podłogę, stół warsztatowy itp.
7. Trzymać narzędzie w sposób niezawodny.
8. Przed włączeniem urządzenia należy upewnić się, czy ostrze nie dotyka obrabianego elementu.
9. Nie zbliżać rąk do części ruchomych.
10. Nie pozostawiać załączonego elektronarzędzia. Można uruchomić elektronarzędzie tylko wtedy, gdy jest trzymane w rękach.

11. Przed wyjęciem wiertła należy wyłączyć narzędzie i odczekać aż tarcza całkowicie się zatrzyma.
12. Zaraz po zakończeniu pracy nie wolno dotykać tarczy ani obrabianego elementu. Mogą one być bardzo gorące, grożąc poparzeniem skóry.
13. Nie należy bez potrzeby uruchamiać narzędzia bez obciążenia.
14. Powinno się zawsze zakładać maskę lub respirator właściwy dla danego materiału bądź zastosowania.
15. Niektóre materiały zawierają substancje chemiczne, które mogą być toksyczne. Unikać wdychania i kontaktu ze skórą. Przestrzegać przepisów bezpieczeństwa podanych przez dostawcę materiałów.

ZACHOWAĆ INSTRUKCJE.

⚠ OSTRZEŻENIE:

NIE WOLNO pozwolić, aby wygodą lub rutyną (nabyta w wyniku wielokrotnego używania narzędzia) zastąpiły ścisłe przestrzeganie zasad bezpieczeństwa obsługi. **NIEWŁAŚCIWE UŻYTKOWANIE** narzędzia lub niestosowanie się do zasad bezpieczeństwa podanych w niniejszej instrukcji obsługi może prowadzić do poważnych obrażeń ciała.

ENC007-9

WAŻNE ZASADY BEZPIECZEŃSTWA

DOTYCZĄCE AKUMULATORA

1. Przed użyciem akumulatora zapoznać się z wszystkimi zaleceniami i znakami ostrzegawczymi na (1) ładowarce, (2) akumulatorze i (3) wyrobie, w którym będzie używany akumulator.
2. Akumulatora nie wolno rozbierać.
3. Jeżeli czas pracy uległ znacznemu skróceniu, należy natychmiast przerwać pracę. Może bowiem dojść do przegrzania, ewentualnych poparzeń, a nawet eksplozji.
4. W przypadku przedostania się elektrolitu do oczu, przemyć je wodą i niezwłocznie uzyskać pomoc lekarską. Może on bowiem spowodować utratę wzroku.
5. Nie doprowadzać do zwarcia akumulatora:
 - (1) Nie dotykać styków przedmiotami wykonanymi z materiałów przewodzących.
 - (2) Unikać przechowywania akumulatora w pojemniku z metalowymi przedmiotami, typu gwoździe, monety itp.
 - (3) Chronić akumulator przed wodą i deszczem.

Zwarcie prowadzi do przepływu prądu elektrycznego o dużym natężeniu i przegrzania akumulatora, co w konsekwencji może grozić poparzeniami a nawet awarią urządzenia.

6. Narzędzia i akumulatora nie wolno przechowywać w miejscach, w których temperatura osiąga bądź przekracza 50 ° C (122 ° F).
7. Akumulatorów nie wolno palić, również tych poważnie uszkodzonych lub całkowicie zużytych. W ogniu mogą one bowiem eksplodować.
8. Chronić akumulator przed upadkiem i uderzeniami.
9. Nie wolno używać uszkodzonego akumulatora.
10. Postępować zgodnie z przepisami lokalnymi dotyczącymi użycia akumulatorów.

ZACHOWAĆ INSTRUKCJE.

Wskazówki dotyczące zachowania maksymalnej trwałości akumulatora

1. Akumulator należy naładować zanim zostanie do końca rozładowany. Gdy zauważysz spadek mocy narzędzia, przerwij pracę i naładuj akumulator.
2. Nie wolno ładować powtórnie w pełni naładowanego akumulatora. Przeładowanie akumulatora skraca jego czas eksploatacji.
3. Akumulator ładować w temperaturze mieszczącej się w przedziale 10 ° C - 40 ° C (50 ° F - 104 ° F). Gdy akumulator jest gorący, przed przystąpieniem do jego ładowania odczekać, aż ostygnie.
4. Naładować akumulator w przypadku nieużywania go przez dłuższy okres (ponad 6 miesięcy).

OPIS DZIAŁANIA

⚠UWAGA:

- Przed przystąpieniem do regulacji lub przeglądu narzędzia upewnić się, czy jest ono wyłączone i czy został wyjęty akumulator.

Wkładanie i wyjmowanie akumulatora

Rys.1

⚠UWAGA:

- Przed montażem lub demontażem akumulatora należy wyłączyć narzędzie.
- **Podczas wkładania lub wyjmowania akumulatora należy mocno trzymać narzędzie i akumulator.** W przeciwnym razie mogą one wysliznąć się z rąk, powodując uszkodzenie narzędzia lub akumulatora i obrażenia ciała.

Aby wyjąć akumulator, należy przesunąć przycisk znajdujący się w przedniej jego części i wysunąć akumulator.

Aby zamontować akumulator, wystarczy wyrównać występ na akumulatorze z rowkiem w obudowie i wsunąć go na swoje miejsce. Akumulator należy wsuwać do oporu, aż się zablokuje, co jest sygnalizowane delikatnym kliknięciem. Jeśli jest widoczny czerwony wskaźnik w górnej części przycisku, akumulator nie został całkowicie zablokowany.

⚠UWAGA:

- Należy go zamontować całkowicie, tak aby czerwony wskaźnik nie był widoczny. W przeciwnym razie może przypadkowo wypaść z urządzenia, raniąc operatora lub osoby postronne.
- Nie montować akumulatora na siłę. Jeśli akumulator nie daje się swobodnie wsunąć, prawdopodobnie został włożony nieprawidłowo.

System ochrony akumulatora (akumulator litowo-jonowy ze znakiem gwiazdki)

Rys.2

Akumulatory litowo-jonowe ze znakiem gwiazdki posiadają w system ochrony. System ten automatycznie odcina dopływ prądu do narzędzia w celu wydłużenia żywotności akumulatora.

Narzędzie zostanie automatycznie zatrzymane podczas pracy w następujących sytuacjach związanych z narzędziem/akumulatorem:

- Przeciążenie:

Narzędzie pracuje w sposób przyczyniający się do niezwykle wysokiego wzrostu napięcia. W takiej sytuacji należy zwolnić język spustowy/dźwignię przełącznika w narzędziu i zaprzestać wykonywania czynności, która spowodowała przeciążenie narzędzia. Następnie należy ponownie pociągnąć język spustowy/dźwignię przełącznika w celu ponownego uruchomienia narzędzia.

Jeżeli narzędzie nie włączy się, akumulator uległ przegrzaniu. W takiej sytuacji należy poczekać, aż akumulator ostygnie przed ponownym pociągnięciem języka spustowego/dźwigni przełącznika.

- Niskie napięcie akumulatora:

Za niski poziom naładowania akumulatora, aby narzędzie mogło pracować. W takiej sytuacji należy wyjąć akumulator i go naładować.

Wskazuje stan naładowania akumulatora

(Dotyczy wyłącznie akumulatorów z symbolem „B” na końcu numeru modelu.)

Rys.3

Nacisnąć przycisk kontrolny znajdujący się na akumulatorze w celu wskazania poziomu naładowania akumulatora. Kontrolki zaświecą się na kilka sekund.

| Kontrolki | | | Poziom naładowania |
|------------|-----------|---------|--------------------------------------------|
| Świeci się | WYŁ (OFF) | Pulsuje | |
| ■ | □ | ▣ | |
| ■ | ■ | ■ | 75 % do 100 % |
| ■ | ■ | □ | 50 % do 75 % |
| ■ | □ | □ | 25 % do 50 % |
| ■ | □ | □ | 0 % do 25 % |
| ▣ | □ | □ | Naładować akumulator. |
| ■ | ■ | □ | Prawdopodobnie akumulator jest uszkodzony. |
| □ | □ | ■ | |

015658

UWAGA:

- Zależnie od warunków użytkowania i temperatury otoczenia, wskazywany poziom może nieznacznie się różnić od rzeczywistego poziomu naładowania akumulatora.

Włączenie

⚠UWAGA:

- Przed montażem akumulatora do narzędzia zawsze sprawdzić, czy język spustowy/dźwignia przełącznika działa prawidłowo i po zwolnieniu przewraca do położenia „OFF”.

Rys.4

Urządzenie wyposażone jest w przycisk/dźwignię blokady, który zapobiega przypadkowemu pociągnięciu za język spustowy/dźwignię przełącznika.

Aby uruchomić narzędzie, należy pociągnąć za język spustowy/dźwignię przełącznika.

- W przypadku dźwigni przełącznika, należy pociągnąć dźwignię blokady, a następnie dźwignię przełącznika w celu uruchomienia narzędzia.

- W przypadku języka spustowego przełącznika, należy nacisnąć przycisk blokady, a następnie pociągnąć język spustowy przełącznika w celu uruchomienia narzędzia. Przycisk blokady można nacisnąć z prawej lub z lewej strony.

Prędkość narzędzia rośnie wraz ze zwiększaniem nacisku na język spustowy/dźwignię przełącznika. Aby zatrzymać urządzenie, wystarczy zwolnić język spustowy/dźwignię przełącznika.

PRZESTROGA:

Nie ciągnąć mocno języka spustowego/dźwigni przełącznika bez pociągnięcia dźwigni/przycisku blokady. Może to spowodować uszkodzenie przełącznika.

Włączanie lampki czołowej

Rys.5

UWAGA:

Nie patrzeć na światło ani bezpośrednio na źródło światła. W celu zapalenia lampki należy pociągnąć za język spustowy/dźwignię przełącznika. Lampka świeci, dopóki język spustowy/dźwignia przełącznika jest odciągnięty(a).

Lampka gaśnie automatycznie po 10-15 sekundach od momentu zwolnienia języka spustowego/dźwigni przełącznika.

Regulowanie stopki

Rys.6

Gdy brzeszczot przestanie skutecznie ciąć w jednym miejscu na długości krawędzi tnącej, należy zmienić ustawienie stopki, aby można było korzystać z ostrego, nieużywanego odcinka krawędzi tnącej. Można w ten sposób przedłużyć okres eksploatacji brzeszczotu.

W celu zmiany położenia stopki należy poluzować śrubę za pomocą klucza sześciokątnego.

Przesunąć stopkę do wymaganego położenia i dokręcić mocno śrubę.

MONTAŻ

UWAGA:

- Przed przystąpieniem do jakichkolwiek czynności związanych z obsługą narzędzia należy koniecznie upewnić się, czy jest ono wyłączone i czy akumulator został wyjęty.

Montaż lub demontaż brzeszczotu

UWAGA:

- Brzeszczot, zacisk brzeszczotu i/lub prowadnik należy zawsze oczyścić z wiórów i innych zanieczyszczeń. Niestosowanie się do tej zasady może prowadzić do zbyt słabego dokręcenia brzeszczotu, a w rezultacie do poważnego wypadku.

Dotyczy modeli DJR143, DJR183

Rys.7

Wsunąć do oporu brzeszczot do pilarki posuwowej w zacisk brzeszczotu. Tuleja zacisku brzeszczotu obraca się i mocuje brzeszczot. Należy upewnić się, czy pomimo prób wyciągnięcia brzeszczotu pozostaje on zablokowany na swoim miejscu.

UWAGA:

- Jeżeli brzeszczot nie zostanie wsunięty dostatecznie głęboko, może nieoczekiwanie wypaść podczas pracy. Może to być bardzo niebezpieczne.

UWAGA:

- Nie używać brzeszczotu do wyrzynarki w modelach DJR143 i DJR183.

Rys.8

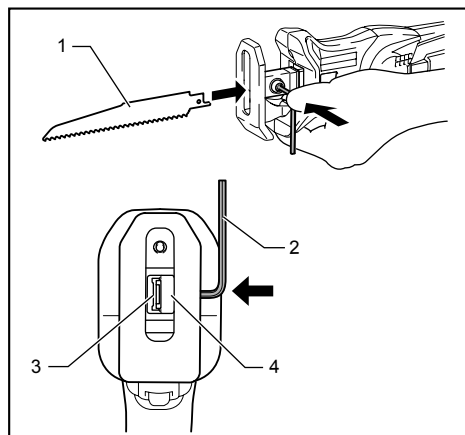
Aby wyjąć brzeszczot, należy obrócić do oporu tuleję zacisku brzeszczotu w kierunku strzałki. Brzeszczot zostanie usunięty, a tuleja zacisku brzeszczotu znajdzie się w pozycji zwolnienia.

UWAGA:

- W przypadku wyjęcia brzeszczotu bez wcześniejszego obrócenia do oporu tulei zacisku brzeszczotu, tuleja może nie zostać zablokowana. W takim przypadku należy ponownie obrócić do oporu tuleję zacisku brzeszczotu, a następnie zablokować ją w pozycji zwolnienia.

Dotyczy modeli DJR145, DJR185

Rys.9

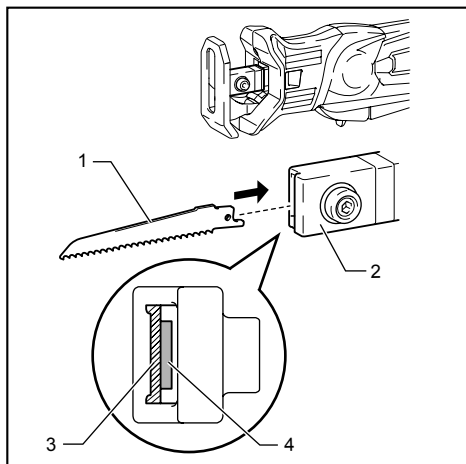


1. Brzeszczot do pilarki posuwowej
2. Klucz sześciokątny
3. Otwór na brzeszczot do pilarki posuwowej
4. Zacisk brzeszczotu

014048

W celu zamontowania brzeszczotu należy poluzować śrubę za pomocą klucza sześciokątnego.

W przypadku montażu brzeszczotu do pilarki posuwowej nacisnąć śrubę za pomocą klucza sześciokątnego w celu otwarcia szczeliny mocującej podczas montażu brzeszczotu.



1. Tarcza
2. Zacisk brzeszczotu
3. Otwór na brzeszczot do pilarki posuwowej
4. Otwór na brzeszczot do wyrzynarki

014047

Rys.10

Istnieje możliwość użycia zarówno brzeszczotów do wyrzynarki (typ B), jak i brzeszczotów do pilarki posuwowej, zgodnie z rodzajem wykonywanej pracy. Wsunąć brzeszczot prosto do zacisku, a następnie zamocować go za pomocą klucza sześciokątnego. Lekko pociągnąć brzeszczot, aby upewnić się, że nie wypadnie on podczas pracy.

Aby zdemontować brzeszczot, należy w odwrotnej kolejności wykonać procedurę montażu.

Przechowywanie klucza sześciokątnego

Rys.11

Klucz sześciokątny, gdy nie jest używany, należy przechowywać zgodnie z rysunkiem, aby nie zapodział się.

DZIAŁANIE

⚠UWAGA:

- Podczas pracy należy zawsze dociskać stopę narzędzia do przecinanego przedmiotu. Jeżeli podczas pracy stopa znajdzie się w pewnej odległości od przecinanego elementu, narzędzie zostanie wprawione w silne drgania i będzie wykręcane, co może prowadzić do niebezpiecznego zakleszczenia się brzeszczotu.
- Do cięcia metalu należy zawsze zakładać rękawice, aby chronić ręce przed wylatującymi wiórami o wysokiej temperaturze.
- Należy zawsze stosować właściwą ochronę oczu, zgodną z aktualnie obowiązującymi normami krajowymi.
- Podczas cięcia metalu należy zawsze stosować odpowiedni środek chłodzący (olej do cięcia). Niestosowanie się do tej zasady spowoduje przedwczesne zużycie brzeszczotu.

Rys.12

Dociskać mocno stopę do przecinanego elementu. Uważać, aby narzędzie nie odskoczyło. Lekko dociskać brzeszczot do przedmiotu. Najpierw wykonać wstępne nacięcie prowadzące przy mniejszej prędkości. Następnie kontynuować cięcie przy wyższej prędkości.

Rys.13

Rys.14

- W zależności od wykonywanej pracy, można używać języka spustowego lub dźwigni przełącznika.

UWAGA:

- Jeżeli narzędzie jest używane bez przerwy aż do rozładowania akumulatora, należy je odstawić na 15 minut, zanim praca zostanie podjęta na nowo z użyciem innego naładowanego akumulatora.

KONSERWACJA

⚠UWAGA:

- Przed przystąpieniem do przeglądu narzędzia lub jego konserwacji upewnić się, czy jest ono wyłączone i czy akumulator został wyjęty.
- Nie wolno używać benzyny, benzenu, rozpuszczalnika, alkoholu itp. Substancje takie mogą spowodować odbarwienia, odkształcenia lub pęknięcia.

Dla zachowania BEZPIECZEŃSTWA i NIEZAWODNOŚCI wyrobu, naprawy oraz inne prace konserwacyjne i regulacyjne powinny być wykonywane przez Autoryzowane Centra Serwisowe Makita, wyłącznie przy użyciu części zamiennych Makita.

AKCESORIA OPCJONALNE

⚠UWAGA:

- Zaleca się stosowanie wymienionych akcesoriów i dodatków razem z elektronarzędziem Makita opisanym w niniejszej instrukcji. Stosowanie jakichkolwiek innych akcesoriów i dodatków może stanowić ryzyko uszkodzenia ciała. Stosować akcesoria i dodatki w celach wyłącznie zgodnych z ich przeznaczeniem.

W razie potrzeby, wszelkiej pomocy i szczegółowych informacji na temat niniejszych akcesoriów udzieli Państwu lokalne Centra Serwisowe Makita.

- Brzeszczoty do pilarki posuwowej
- Brzeszczot do wyrzynarki (dotyczy tylko modeli DJR145, DJR185)
- Oryginalny akumulator i ładowarka firmy Makita

UWAGA:

- Niektóre pozycje znajdujące się na liście mogą być dołączone do pakietu narzędziowego jako akcesoria standardowe. Mogą to być różne pozycje, w zależności od kraju.

ROMÂNĂ (Instrucțiuni originale)

Explicitarea vederii de ansamblu

| | | |
|-------------------------------|----------------------------------------|-----------------------------------|
| 1-1. Indicator roșu | 4-3. Levier de comutare | 8-1. Pânză de ferăstrău |
| 1-2. Buton | 4-4. Trăgaciul întrerupătorului | 8-2. Manșon de strângere a pânzei |
| 1-3. Cartușul acumulatorului | 5-1. Lampă | 9-1. Cheie inbus |
| 2-1. Marcaj în stea | 6-1. Cheie inbus | 9-2. Bolț |
| 3-1. Lămpi indicator | 6-2. Șurub cu cap hexagonal | 9-3. Deșurubați |
| 3-2. Buton CHECK (Verificare) | 6-3. Deșurubați | 9-4. Strângere |
| 4-1. Buton de deblocare | 7-1. Pânză pentru ferăstrău alternativ | 11-1. Cheie inbus |
| 4-2. Levier de deblocare | 7-2. Manșon de strângere a pânzei | 11-2. Protuberanță |

SPECIFICAȚII

| Model | DJR143 | DJR145 | DJR183 | DJR185 |
|-------------------------------------|-----------------------------------------------------------------|--------|--------------------------------------------------------------------------------------------------------|--------|
| Lungimea cursei | 13 mm | | | |
| Curse pe minut (min ⁻¹) | 0 - 3.000 | | | |
| Capacități maxime de tăiere | Țeavă | 50 mm | | |
| | Lemn | 50 mm | | |
| Cartuș acumulator standard | BL1415 / BL1415N / BL1430 / BL1430B / BL1440 / BL1450 / BL1460B | | BL1815 / BL1815N / BL1820 / BL1820B / BL1830 / BL1830B / BL1840 / BL1840B / BL1850 / BL1850B / BL1860B | |
| Lungime totală | 392 mm (cu BL1415 / BL1415N) | | 392 mm (cu BL1815 / BL1815N / BL1820 / BL1820B) | |
| | 397 mm (cu BL1430 / BL1430B / BL1440 / BL1450 / BL1460B) | | 398 mm (cu BL1830 / BL1830B / BL1840 / BL1840B / BL1850 / BL1850B / BL1860B) | |
| Greutate netă | 1,5 kg (cu BL1415 / BL1415N) | | 1,5 kg (cu BL1815 / BL1815N / BL1820 / BL1820B) | |
| | 1,7 kg (cu BL1430 / BL1430B / BL1440 / BL1450 / BL1460B) | | 1,8 kg (cu BL1830 / BL1830B / BL1840 / BL1840B / BL1850 / BL1850B / BL1860B) | |
| Tensiune nominală | 14,4 V cc. | | 18 V cc. | |

- Datorită programului nostru continuu de cercetare și dezvoltare, caracteristicile pot fi modificate fără o notificare prealabilă.
- Specificațiile și ansamblul baterie pot diferi de la țară la țară.
- Greutatea, cu ansamblul baterie, conform procedurii EPTA 01/2003

ENE020-1

Destinația de utilizare

Mașina este destinată tăierii lemnului, plasticului și materialelor feroase.

ENG905-1

Emisie de zgomot

Nivelul de zgomot normal ponderat A determinat în conformitate cu EN60745:

Model DJR143, DJR185

Nivel de presiune acustică (L_{pA}): 76 dB (A)

Marjă de eroare (K): 3 dB (A)

Nivelul de zgomot în timpul funcționării poate depăși 80 dB (A).

Model DJR145, DJR183

Nivel de presiune acustică (L_{pA}): 77 dB (A)

Marjă de eroare (K): 3 dB (A)

Nivelul de zgomot în timpul funcționării poate depăși 80 dB (A).

Purtați mijloace de protecție a auzului

ENG900-1

Vibrații

Valoarea totală a vibrațiilor (suma vectorilor tri-axiali) determinată conform EN60745:

Model DJR143, DJR145

Mod de lucru: tăierea plăcilor

Emisie de vibrații ($a_{h,B}$): 7,0 m/s²

Marjă de eroare (K): 1,5 m/s²

Mod de lucru: tăierea buștenilor

Emisie de vibrații ($a_{h,WB}$): 7,0 m/s²

Marjă de eroare (K): 1,5 m/s²

Model DJR183, DJR185

Mod de lucru: tăierea plăcilor

Emisie de vibrații ($a_{h,B}$): 8,0 m/s²

Marjă de eroare (K): 1,5 m/s²

Mod de lucru: tăierea buștenilor
Emisie de vibrații ($a_{h,wb}$): 7,0 m/s²
Marjă de eroare (K): 1,5 m/s²

ENG901-1

- Nivelul de vibrații declarat a fost măsurat în conformitate cu metoda de test standard și poate fi utilizat pentru compararea unei unelte cu alta.
- Nivelul de vibrații declarat poate fi, de asemenea, utilizat într-o evaluare preliminară a expunerii.

⚠️ AVERTISMENT:

- Nivelul de vibrații în timpul utilizării reale a uneltei electrice poate diferi de valoarea nivelului declarat, în funcție de modul în care unealta este utilizată.
- Asigurați-vă că identificați măsurile de siguranță pentru a proteja operatorul, acestea fiind bazate pe o estimare a expunerii în condiții reale de utilizare (luând în considerare toate părțile ciclului de operare, precum timpii în care unealta a fost oprită, sau a funcționat în gol, pe lângă timpul de declanșare).

ENH101-17

Numai pentru țările europene

Declarație de conformitate CE

Makita declară că următoarea(ele) mașină(i):

Denumirea mașinii:

Ferăstrău alternativ cu acumulator

Model Nr./ Tip: DJR143, DJR145, DJR183, DJR185

Este în conformitate cu următoarele directive europene:

2006/42/EC

Sunt fabricate în conformitate cu următorul standard sau documente standardizate:

EN60745

Fișierul tehnic în conformitate cu 2006/42/CE este disponibil de la:

Makita, Jan-Baptist Vinkstraat 2, 3070, Belgia

31.12.2013



000331

Yasushi Fukaya
Director

Makita, Jan-Baptist Vinkstraat 2, 3070, Belgia

Avertismente generale de siguranță pentru unelte electrice

⚠️ **AVERTIZARE** Citiți toate avertizările de siguranță și toate instrucțiunile. Nerespectarea acestor avertizări și instrucțiuni poate avea ca rezultat electrocutarea, incendiul și/sau rănirea gravă.

Păstrați toate avertismentele și instrucțiunile pentru consultări ulterioare.

GEB048-2

AVERTISMENTE PRIVIND SIGURANȚA PENTRU FERĂSTRĂU PENDULAR FĂRĂ FIR

1. **Țineți mașina electrică de suprafețele de prindere izolate atunci când efectuați o operațiune în care accesoriul de tăiere poate intra în contact cu fire ascunse.** Accesoriul de tăiere care intră în contact cu un fir aflat sub tensiune poate pune sub tensiune componentele metalice neizolate ale mașinii electrice și poate produce un șoc electric asupra operatorului.
2. **Folosiți bride sau altă metodă practică de a fixa și sprijini piesa de prelucrat pe o platformă stabilă.** Fixarea piesei cu mâna sau strângerea acesteia la corp nu prezintă stabilitate și poate conduce la pierderea controlului.
3. **Folosiți întotdeauna viziere sau ochelari de protecție. Ochelarii obișnuiți sau ochelarii de soare NU sunt ochelari de protecție.**
4. **Evitați tăierea cuieilor. Inspectați piesa de prelucrat și eliminați cuiele din aceasta înainte de începerea lucrării.**
5. **Nu tăiați piese supradimensionate.**
6. **Verificați distanța corectă sub piesa de prelucrat înainte de tăiere, astfel încât pânza să nu lovească podeaua, bancul de lucru etc.**
7. **Țineți bine mașina.**
8. **Asigurați-vă că pânza nu intră în contact cu piesa de prelucrat înainte de a conecta comutatorul.**
9. **Țineți mâinile la distanță de piesele în mișcare.**
10. **Nu lăsați mașina în funcțiune. Folosiți mașina numai când o țineți cu mâinile.**
11. **Oprți întotdeauna mașina și așteptați ca pânza să se oprească complet înainte de a scoate pânza din piesa prelucrată.**
12. **Nu atingeți pânza sau piesa prelucrată imediat după executarea lucrării; acestea pot fi extrem de fierbinți și pot provoca arsuri ale pielii.**
13. **Nu acționați mașina în gol în mod inutil.**

14. Folosiți întotdeauna masca de protecție contra prafului adecvată pentru materialul și aplicația la care lucrați.
15. Unele materiale conțin substanțe chimice care pot fi toxice. Aveți grijă să nu inhalați praful și evitați contactul cu pielea. Respectați instrucțiunile de siguranță ale furnizorului.
8. Aveți grijă să nu scăpați pe jos sau să loviți acumulatorul.
9. Nu folosiți un acumulator uzat.
10. Respectați normele naționale privind eliminarea la deșeuri a acumulatorului.

PĂSTRAȚI ACESTE INSTRUCȚIUNI.

⚠️ AVERTISMENT:

NU permiteți comodității și familiarizării cu produsul (obținute prin utilizare repetată) să înlocuiască respectarea strictă a normelor de securitate pentru acest produs. FOLOSIREA INCORECTĂ sau nerespectarea normelor de securitate din acest manual de instrucțiuni poate provoca vătămări corporale grave.

ENC007-9

INSTRUCȚIUNI IMPORTANTE PRIVIND SIGURANȚA PENTRU CARTUȘUL ACUMULATORULUI

1. Înainte de a folosi cartușul acumulatorului, citiți toate instrucțiunile și atenționările de pe (1) încărcătorul acumulatorului, (2) acumulator și (3) produsul care folosește acumulatorul.
2. Nu dezmembrați cartușul acumulatorului.
3. Dacă timpul de funcționare s-a redus excesiv, întrerupeți imediat funcționarea. Aceasta poate prezenta risc de supraîncălzire, posibile arsuri și chiar explozie.
4. Dacă electrolitul pătrunde în ochi, clătiți bine ochii cu apă curată și consultați imediat un medic. Există risc de orbire.
5. Nu scurtcircuitați cartușul acumulatorului:
 - (1) Nu atingeți bornele cu niciun material conductor.
 - (2) Evitați depozitarea cartușului acumulatorului la un loc cu alte obiecte metalice cum ar fi cuie, monede etc.
 - (3) Nu expuneți cartușul acumulatorului la apă sau ploaie.

Un scurtcircuit al acumulatorului poate provoca un flux puternic de curent electric, supraîncălzire, posibile arsuri și chiar defectarea mașinii.

6. Nu depozitați mașina și cartușul acumulatorului în spații în care temperatura poate atinge sau depăși 50 ° C (122 ° F).
7. Nu incinerati cartușul acumulatorului chiar dacă acesta este grav deteriorat sau complet uzat. Cartușul acumulatorului poate exploda în foc.

PĂSTRAȚI ACESTE INSTRUCȚIUNI.

Sfaturi pentru obținerea unei durate maxime de exploatare a acumulatorului

1. Încărcați cartușul acumulatorului înainte de a se descărca complet. Întrerupeți întotdeauna funcționarea mașinii și încărcați cartușul acumulatorului când observați o scădere a puterii mașinii.
2. Nu reîncărcați niciodată un acumulator complet încărcat. Supraîncărcarea va scurta durata de exploatare a acumulatorului.
3. Încărcați cartușul acumulatorului la temperatura camerei, între 10 ° C - 40 ° C (50 ° F - 104 ° F). Lăsați un acumulator fierbinte să se răcească înainte de a-l încărca.
4. Încărcați cartușul acumulatorului dacă nu îl utilizați o perioadă îndelungată (peste șase luni).

DESCRIERE FUNCȚIONALĂ

⚠️ATENȚIE:

- Asigurați-vă întotdeauna că mașina este oprită și cartușul acumulatorului este scos înainte de a ajusta sau verifica funcționarea mașinii.

Instalarea sau scoaterea cartușului acumulatorului

Fig.1

⚠️ATENȚIE:

- Opriti întotdeauna unealta înainte de montarea sau demontarea cartușului de acumulator.
- Țineți ferm mașina și cartușul acumulatorului la montarea sau demontarea cartușului.** În caz contrar, acestea vă pot aluneca din mâini, rezultând defectarea lor și posibile accidentări.

Pentru a scoate cartușul acumulatorului, glisați-l din unealtă în timp ce glisați butonul de pe partea frontală a cartușului.

Pentru a instala cartușul acumulatorului, aliniați limba de pe cartușul acumulatorului cu canelura din carcasă și introduceți-l în locaș. Introduceți-l complet, până când se înclichetează în locaș. Dacă puteți vedea indicatorul roșu din partea superioară a butonului, acesta nu este blocat complet.

⚠️ATENȚIE:

- Instalați întotdeauna cartușul acumulatorului complet, până când indicatorul roșu nu mai este vizibil. În caz contrar, acesta poate cădea accidental din mașină provocând rănirea dumneavoastră sau a persoanelor din jur.
- Nu forțați cartușul de acumulator la montare. Dacă acesta nu glisează ușor, înseamnă că a fost introdus incorect.

Sistem de protecție a acumulatorului (acumulator litiu-ion cu marcaj stea)

Fig.2

Acumulatorii litiu-ion cu un marcaj stea sunt echipate cu un sistem de protecție. Acest sistem oprește automat alimentarea mașinii pentru a prelungi durata de viață a bateriei.

Mașina se va opri automat în timpul funcționării când mașina și/sau acumulatorul se află într-una din situațiile următoare.

- Suprasarcină:

Mașina este operată într-o manieră care determină atragerea unui curent de o intensitate anormal de ridicată.

În această situație, eliberați pârghia de comutare/butonul declanșator de pe mașină și opriți aplicația care a dus la supraîncărcarea mașinii. Apoi trageți din nou pârghia de comutare/butonul declanșator pentru a reporni.

Dacă mașina nu pornește, acumulatorul este supraîncălzit. În această situație, lăsați acumulatorul să se răcească înainte de a trage pârghia de comutare/butonul declanșator din nou.

- Tensiune scăzută a acumulator:


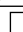





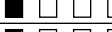


Capacitatea rămasă a bateriei este prea mică, iar mașina nu va funcționa. În această situație, scoateți și reîncărcați acumulatorul.

Indicarea capacității rămase a acumulatorului

(Doar pentru cartușele de acumulator cu "B" la sfârșitul numărului modelului.)

Fig.3

Apăsăți butonul de verificare de pe cartușul acumulatorului pentru indicarea capacității rămase a acumulatorului. Lampa indicatoare se aprinde timp de câteva secunde.

| Lămpi indicator | | | Capacitate rămasă |
|--------------------------------------------------------------------------------------------|-----------------------------------------------------------------------------------------|----------------------------------------------------------------------------------------------------------|-------------------------------------------------|
|  Iluminat |  OPRIT |  Iluminare intermitentă | |
|  | | | între 75 % și 100 % |
|  | | | între 50 % și 75 % |
|  | | | între 25 % și 50 % |
|  | | | între 0 % și 25 % |
|  | | | Încărcați acumulatorul. |
|  | | | Este posibil ca acumulatorul să se fi defectat. |
|  | | | |

015658

NOTĂ:

- În funcție de condițiile de utilizare și temperatura ambientală, indicația poate fi ușor diferită de capacitatea reală.

Acționarea întreprătorului

⚠️ATENȚIE:

- Înainte de a instala cartușul acumulatorului în mașină, verificați întotdeauna dacă pârghia de comutare/butonul declanșator funcționează corect și revine în poziția "OFF" (oprit) când este eliberat/ă.

Fig.4

Pentru a preveni acționarea accidentală a pârghiei de comutare/butonului declanșator, este prevăzută a un buton/pârghie de deblocare.

Pentru a porni mașina, trageți pârghia de comutare sau butonul declanșator.

- Pentru pârghia de comutare, trageți pârghia de deblocare și apoi trageți pârghia de comutare pentru a porni mașina.
- Pentru butonul declanșator, apăsați butonul de deblocare și apoi trageți butonul declanșator pentru a porni mașina. Butonul de deblocare poate fi apăsat fie din partea dreaptă, fie din partea stângă.

Turația mașinii poate fi mărită prin creșterea forței de apăsare pe pârghia de comutare/ butonul declanșator. Eliberați pârghia de comutare/butonul declanșator pentru a opri mașina.

NOTĂ:

Nu trageți puternic pârghia de comutare/butonul declanșator fără a trage pârghia/butonul de deblocare. Comutatorul se poate rupe.

Aprinderea lămpii frontale

Fig.5

⚠ATENȚIE:

- Nu priviți direct în raza sau în sursa de lumină.

Trageți pârghia de comutare/butonul declanșator pentru a aprinde lampa. Lampa continuă să lumineze în timp ce pârghia de comutare/butonul declanșator este tras/ă. Lampa se stinge automat la 10-15 secunde după eliberarea pârghiei de comutare/butonului declanșator.

Reglarea sabotului

Fig.6

Când pânza își pierde eficiența de tăiere într-o porțiune de-a lungul muchiei tăietoare, re poziționați sabotul pentru a folosi o porțiune ascuțită, neutilizată, a muchiei tăietoare. Aceasta va ajuta la prelungirea duratei de exploatare a pânzei.

Pentru a re poziționa sabotul, slăbiți șurubul cu cheia inbus. Glisați sabotul în poziția dorită și strângeți bine șurubul.

MONTARE

⚠ATENȚIE:

- Asigurați-vă întotdeauna că mașina este oprită și cartușul acumulatorului este scos înainte de a executa orice lucrări la mașină.

Montarea sau demontarea pânzei de ferăstrău

⚠ATENȚIE:

- Curățați întotdeauna toate așchile sau materiile străine depuse pe pânză, dispozitivul de strângere a pânzei și/sau culisor. În caz contrar, pânza ar putea fi strânsă insuficient existând pericol de rănire gravă.

Pentru modelul DJR143, DJR183

Fig.7

Introduceți pânza pentru ferăstrăul alternativ în dispozitivul de strângere a pânzei până în capăt. Manșonul de strângere a pânzei se rotește și fixează pânza de ferăstrău. Asigurați-vă că pânza de ferăstrău nu poate fi extrasă chiar dacă trageți de aceasta.

⚠ATENȚIE:

- Dacă nu introduceți pânza de ferăstrău suficient de adânc, aceasta poate fi ejectată brusc în timpul funcționării. Acest lucru poate fi extrem de periculos.

NOTĂ:

- Nu puteți utiliza pânza pentru ferăstrău mecanic pentru metale cu modelul DJR143 sau DJR183.

Fig.8

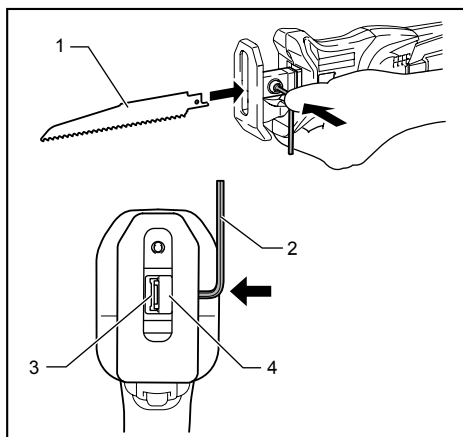
Pentru a demonta pânza de ferăstrău, rotiți complet manșonul de strângere a pânzei în direcția săgeții. Pânza de ferăstrău este demontată și manșonul de strângere a pânzei este fixat în poziția deblocată.

NOTĂ:

- Dacă demontați pânza de ferăstrău fără a roti complet manșonul de strângere a pânzei, manșonul ar putea să nu fie fixat. În acest caz, rotiți complet manșonul de strângere a pânzei, iar apoi fixați manșonul în poziția deblocată.

Pentru modelul DJR145, DJR185

Fig.9

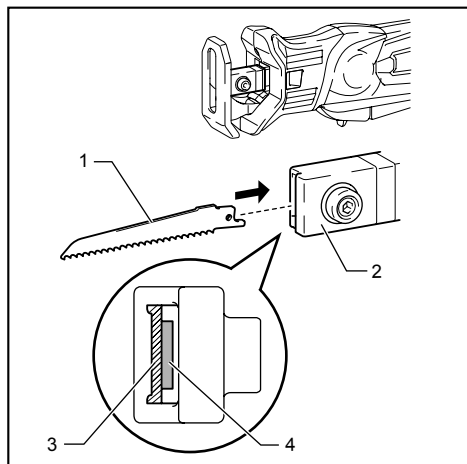


1. Pânză pentru ferăstrău alternativ
2. Cheie inbus
3. Orificiu pentru pânza ferăstrăului alternativ
4. Cap de prindere a pânzei

014048

Pentru a instala pânza ferăstrăului, slăbiți șurubul cu o cheie inbus.

La instalarea unei pânze pentru ferăstrău alternativ, apăsați șurubul cu cheia inbus pentru a deschide fanta în timpul introducerii pânzei.



1. Pânză de ferăstrău
2. Cap de prindere a pânzei
3. Orificiu pentru pânza ferăstrăului alternativ
4. Orificiu pentru pânza ferăstrăului mecanic pentru metale

014047

Fig.10

Puteți utiliza atât pânze pentru ferăstrău mecanic pentru metale (tip B), cât și pânze pentru ferăstrău alternativ, în funcție de lucrarea desfășurată. Introduceți pânza ferăstrăului drept în dispozitivul de strângere a pânzei și strângeți cu cheia inbus. Trageți pânza de ferăstrău ușor pentru a vă asigura că aceasta nu cade în timpul utilizării. Pentru a demonta pânza de ferăstrău, executați în ordine inversă operațiile de montare.

Depozitarea cheii inbus

Fig.11

Atunci când nu este utilizată, depozitați cheia inbus după cum se vede în figură pentru a nu se pierde.

FUNCȚIONARE

⚠ATENȚIE:

- Apăsați întotdeauna ferm sabotul pe piesa de prelucrat în timpul operației. Dacă sabotul nu este ținut în contact cu piesa de prelucrat în timpul operației, vor apărea vibrații și/sau torsiuni puternice care vor provoca ruperea periculoasă a pânzei.
- Purtați întotdeauna mănuși pentru a vă proteja mâinile de așchiile fierbinți împrăștiate când tăiați metale.
- Aveți grijă să purtați întotdeauna mijloace de protecție a vederii conforme cu standardele naționale în vigoare.
- Folosiți întotdeauna un lichid de răcire (ulei de răcire a sculelor așchietoare) atunci când tăiați metale. În caz contrar, pânza se va uza prematur.

Fig.12

Apăsați ferm sabotul pe piesa de prelucrat. Evitați trepidațiile mașinii. Aduceți pânza de ferăstrău în contact ușor cu piesa de prelucrat. Mai întâi, efectuați un canal pilot la turație redusă. Apoi, utilizați o turație mai ridicată pentru a continua tăierea.

Fig.13

Fig.14

- Puteți utiliza pârghia de comutare sau butonul declanșator, în funcție de lucrarea de efectuat.

NOTĂ:

- Dacă mașina este folosită continuu până la descărcarea cartușului acumulatorului, lăsați mașina în repaus timp de 15 minute înainte de a continua cu un acumulator nou.

ÎNTREȚINERE

⚠ATENȚIE:

- Asigurați-vă întotdeauna că mașina este oprită și cartușul acumulatorului este scos înainte de a executa lucrările de inspecție și întreținere.
- Nu utilizați niciodată gazolină, benzină, diluant, alcool sau alte substanțe asemănătoare. În caz contrar, pot rezulta decolorări, deformări sau fisuri.

Pentru a menține siguranța și fiabilitatea mașinii, reparațiile și reglajele trebuie să fie efectuate numai la Centrele de service autorizat Makita, folosindu-se piese de schimb Makita.

ACCESORII OPȚIONALE

⚠ATENȚIE:

- Folosiți accesoriile sau piesele auxiliare recomandate pentru mașina dumneavoastră în acest manual. Utilizarea oricăror alte accesorii sau piese auxiliare poate cauza vătămări. Folosiți accesoriile pentru operațiunea pentru care au fost concepute.

Dacă aveți nevoie de asistență sau de mai multe detalii referitoare la aceste accesorii, adresați-vă centrului local de service Makita.

- Pânze de ferăstrău alternativ
- Pânze pentru ferăstrău mecanic pentru metale (doar pentru modelul DJR145, DJR185)
- Acumulator și încărcător original Makita

NOTĂ:

- Unele articole din listă pot fi incluse ca accesorii standard în ambalajul de scule. Acestea pot diferi în funcție de țară.

DEUTSCH (Originalbetriebsanleitung)

Erklärung der Gesamtdarstellung

| | | |
|------------------------|--------------------------|--------------------------|
| 1-1. Rote Anzeige | 4-3. Schalthebel | 8-1. Sägeblatt |
| 1-2. Taste | 4-4. Schalter | 8-2. Sägeblatt-Klemmring |
| 1-3. Akkublock | 5-1. Lampe | 9-1. Sechskantschlüssel |
| 2-1. Sternmarkierung | 6-1. Sechskantschlüssel | 9-2. Bolzen |
| 3-1. Anzeigelampen | 6-2. Sechskantschraube | 9-3. Lösen |
| 3-2. Taste CHECK | 6-3. Lösen | 9-4. Anziehen |
| 4-1. Entsperrungstaste | 7-1. Reciprosägeblatt | 11-1. Sechskantschlüssel |
| 4-2. Entblockungshebel | 7-2. Sägeblatt-Klemmring | 11-2. Vorsprung |

TECHNISCHE DATEN

| Modell | DJR143 | DJR145 | DJR183 | DJR185 |
|-----------------------------------------|-----------------------------------------------------------------|--------|--------------------------------------------------------------------------------------------------------|--------|
| Hubhöhe | 13 mm | | | |
| Schläge pro Minute (min ⁻¹) | 0 - 3.000 | | | |
| Max. Schnittkapazität | Rohre | 50 mm | | |
| | Holz | 50 mm | | |
| Standard-Akkublock | BL1415 / BL1415N / BL1430 / BL1430B / BL1440 / BL1450 / BL1460B | | BL1815 / BL1815N / BL1820 / BL1820B / BL1830 / BL1830B / BL1840 / BL1840B / BL1850 / BL1850B / BL1860B | |
| Gesamtlänge | 392 mm (bei BL1415 / BL1415N) | | 392 mm (bei BL1815 / BL1815N / BL1820 / BL1820B) | |
| | 397 mm (bei BL1430 / BL1430B / BL1440 / BL1450 / BL1460B) | | 398 mm (bei BL1830 / BL1830B / BL1840 / BL1840B / BL1850 / BL1850B / BL1860B) | |
| Netto-Gewicht | 1,5 kg (bei BL1415 / BL1415N) | | 1,5 kg (bei BL1815 / BL1815N / BL1820 / BL1820B) | |
| | 1,7 kg (bei BL1430 / BL1430B / BL1440 / BL1450 / BL1460B) | | 1,8 kg (bei BL1830 / BL1830B / BL1840 / BL1840B / BL1850 / BL1850B / BL1860B) | |
| Nennspannung | Gleichspannung 14,4 V | | Gleichspannung 18 V | |

- Aufgrund der laufenden Forschung und Entwicklung unterliegen die hier aufgeführten technischen Daten Veränderungen ohne Hinweis.
- Die Technischen Daten und der Akkublock können in den einzelnen Ländern abweichen.
- Gewicht, mit Akkublock, ermittelt gemäß EPTA-Verfahren 01/2003

ENE020-1

Verwendungszweck

Das Werkzeug wurde für das Sägen von Holz, Kunststoff und Eisenmaterial entwickelt.

ENG905-1

Geräuschpegel

Die typischen A-bewerteten Geräuschpegel, bestimmt gemäß EN60745:

Modell DJR143, DJR185

Schalldruckpegel (L_{pA}): 76 dB (A)

Abweichung (K): 3 dB (A)

Unter Arbeitsbedingungen kann der Schalldruckpegel 80 dB (A) überschreiten.

Modell DJR145, DJR183

Schalldruckpegel (L_{pA}): 77 dB (A)

Abweichung (K): 3 dB (A)

Unter Arbeitsbedingungen kann der Schalldruckpegel 80 dB (A) überschreiten.

Tragen Sie Gehörschutz

ENG900-1

Schwingung

Schwingungsgesamtwerte (Vektorsumme dreier Achsen) nach EN60745:

Modell DJR143, DJR145

Arbeitsmodus: Schneiden von Karton
Schwingungsbelastung ($a_{h,B}$): 7,0 m/s²
Abweichung (K): 1,5 m/s²

Arbeitsmodus: Schneiden von Holzbalken
Schwingungsbelastung ($a_{h,WB}$): 7,0 m/s²
Abweichung (K): 1,5 m/s²

Modell DJR183, DJR185

Arbeitsmodus: Schneiden von Karton
Schwingungsbelastung ($a_{h,B}$): 8,0 m/s²
Abweichung (K): 1,5 m/s²

Arbeitsmodus: Schneiden von Holzbalken
Schwingungsbelastung ($a_{h,WB}$): 7,0 m/s²
Abweichung (K): 1,5 m/s²

ENG901-1

- Die deklarierte Schwingungsbelastung wurde gemäß der Standardtestmethode gemessen und kann für den Vergleich von Werkzeugen untereinander verwendet werden.
- Die deklarierte Schwingungsbelastung kann auch in einer vorläufigen Bewertung der Gefährdung verwendet werden.

⚠️ **WARNUNG:**

- Die Schwingungsbelastung während der tatsächlichen Anwendung des Elektrowerkzeugs kann in Abhängigkeit von der Art und Weise der Verwendung des Werkzeugs vom deklarierten Belastungswert abweichen.
- Stellen Sie sicher, dass Schutzmaßnahmen für den Bediener getroffen werden, die auf den unter den tatsächlichen Arbeitsbedingungen zu erwartenden Belastungen beruhen (beziehen Sie alle Bestandteile des Arbeitsablaufs ein, also zusätzlich zu den Arbeitszeiten auch Zeiten, in denen das Werkzeug ausgeschaltet ist oder ohne Last läuft).

ENH101-17

Nur für europäische Länder

EG-Konformitätserklärung

Makita erklärt, dass die nachfolgende(n) Maschine(n):

Bezeichnung der Maschine(n):

Akku Reciprosäge

Modellnr./ -typ: DJR143, DJR145, DJR183, DJR185

Den folgenden EG-Richtlinien entspricht:

2006/42/EC

Sie werden gemäß den folgenden Standards oder Normen gefertigt:

EN60745

Die technischen unterlagen gemäß 2006/42/EG sind erhältlich von:

Makita, Jan-Baptist Vinkstraat 2, 3070, Belgien



000331

Yasushi Fukaya
Direktor

Makita, Jan-Baptist Vinkstraat 2, 3070, Belgien

GEA010-1

Allgemeine Sicherheitshinweise für Elektrowerkzeuge

⚠️ **WARNUNG Lesen Sie alle Sicherheitshinweisen und -anweisungen sorgfältig durch.** Werden die Warnungen und Anweisungen ignoriert, besteht die Gefahr eines Stromschlags, Brands und/oder schweren Verletzungen.

Bewahren Sie alle Warnhinweise und Anweisungen zur späteren Referenz gut auf.

GEB048-2

SICHERHEITSHINWEISE FÜR DIE AKKU-SÄBELSÄGE

- Halten Sie das Werkzeug an den isolierten Griffflächen, wenn Sie unter Bedingungen arbeiten, bei denen das Schneidwerkzeug versteckte Verkabelung berühren kann.** Bei Kontakt des Trennwerkzeugs mit einem stromführenden Kabel wird der Strom an die Metallteile des Elektrowerkzeugs und dadurch an den Bediener weitergeleitet, und der Bediener erleidet einen Stromschlag.
- Verwenden Sie Klemmen oder andere geeignete Geräte, um das Werkstück an einer stabilen Unterlage zu sichern.** Wenn Sie das Werkstück von Hand halten oder gegen Ihren Körper pressen, kann dies zu Instabilität und Kontrollverlust führen.
- Tragen Sie immer Sicherheitsgläser oder Schutzbrillen. Bei gewöhnlichen Brillen und Sonnenbrillen handelt es sich NICHT um Sicherheitsgläser.**
- Vermeiden Sie es, in Nägel zu schneiden. Untersuchen Sie das Werkstück auf Nägel, und entfernen Sie diese vor der eigentlichen Arbeit.**
- Zu große Werkstücke dürfen nicht geschnitten werden.**
- Achten Sie auf genügend Abstand unter dem Werkstück, damit das Blatt nicht auf den Boden, die Werkbank usw. schlägt.**
- Halten Sie das Werkzeug fest in der Hand.**
- Achten Sie vor dem Einschalten des Werkzeugs darauf, dass das Messer das Werkstück nicht berührt.**
- Halten Sie Ihre Hände von beweglichen Teilen fern.**

10. Lassen Sie das Werkzeug nicht unbeaufsichtigt laufen. Arbeiten Sie nur mit ihm, wenn Sie es in der Hand halten.
11. Schalten Sie das Werkzeug immer aus und warten Sie auf den völligen Stillstand des Sägeblatts, bevor Sie dieses aus dem Werkstück herausziehen.
12. Berühren Sie kurz nach dem Betrieb nicht das Blatt oder das Werkstück. Diese können extrem heiß sein und zu Verbrennungen führen.
13. Lassen Sie das Werkzeug nicht unnötig ohne Last laufen.
14. Verwenden Sie bei der Arbeit stets eine für das Material geeignete Staubmaske bzw. ein Atemgerät.
15. Manche Materialien enthalten Chemikalien, die giftig sein können. Geben Sie Acht, dass Sie diese nicht einatmen oder berühren. Lesen Sie die Material-Sicherheitsblätter des Lieferers.

BEWAHREN SIE DIESE ANWEISUNGEN AUF.

⚠️ WARNUNG:

Lassen Sie sich NIE durch Bequemlichkeit oder (aus fortwährendem Gebrauch gewonnener) Vertrautheit mit dem Werkzeug dazu verleiten, die Sicherheitsregeln für das Werkzeug zu missachten. Bei MISSBRÄUCLICHER Verwendung des Werkzeugs oder Missachtung der in diesem Handbuch enthaltenen Sicherheitshinweise kann es zu schweren Verletzungen kommen.

ENC007-9

WICHTIGE SICHERHEITSAUWEISUNGEN FÜR AKKUBLOCK

1. Lesen Sie vor der Verwendung des Akkublocks alle Anweisungen und Sicherheitshinweise für (1) das Akkuladegerät, (2) den Akku und (3) das Produkt, für das der Akku verwendet wird.
 2. Der Akkublock darf nicht zerlegt werden.
 3. Falls die Betriebsdauer erheblich kürzer wird, beenden Sie den Betrieb umgehend. Andernfalls besteht die Gefahr einer Überhitzung sowie das Risiko möglicher Verbrennungen und sogar einer Explosion.
 4. Wenn Elektrolyt in Ihre Augen gerät, waschen Sie diese mit klarem Wasser aus, und suchen Sie sofort einen Arzt auf. Andernfalls können Sie Ihre Sehfähigkeit verlieren.
 5. Der Akkublock darf nicht kurzgeschlossen werden.
 - (1) Die Kontakte dürfen nicht mit leitendem Material in Berührung kommen.
 - (2) Der Akkublock darf nicht in einem Behälter aufbewahrt werden, in dem sich andere metallische Gegenstände wie beispielsweise Nägel, Münzen usw. befinden.
 - (3) Der Akkublock darf weder Feuchtigkeit noch Regen ausgesetzt werden.
- Ein Kurzschluss des Akkus kann zu hohem Kriechstrom, Überhitzung, möglichen Verbrennungen und sogar zu einer Zerstörung des Geräts führen.
6. Werkzeug und Akkublock dürfen nicht an Orten aufbewahrt werden, an denen die Temperatur 50 ° C (122 ° F) oder höher erreichen kann.
 7. Selbst wenn der Akkublock schwer beschädigt oder völlig verbraucht ist, darf er nicht angezündet werden. Der Akkublock kann in den Flammen explodieren.
 8. Lassen Sie den Akku nicht fallen, und vermeiden Sie Schläge gegen den Akku.
 9. Verwenden Sie einen beschädigten Akkublock nicht.
 10. Befolgen Sie die in Ihrem Land geltenden Bestimmungen bzgl. der Entsorgung von Akkus.

BEWAHREN SIE DIESE ANWEISUNGEN AUF.

Tipps für den Erhalt der maximalen Akkublock-Nutzungsdauer

1. Laden Sie den Akkublock auf, bevor er ganz entladen ist. Beenden Sie stets den Betrieb des Werkzeugs, und laden Sie den Akkublock auf, sobald Sie eine verringerte Werkzeugleistung bemerken.
2. Laden Sie einen voll geladenen Akkublock nicht noch einmal auf. Eine Überladung verkürzt die Lebensdauer des Akkus.
3. Laden Sie den Akkublock bei einer Zimmertemperatur von 10 ° C - 40 ° C (50 ° F - 104 ° F) auf. Lassen Sie einen heißen Akkublock vor dem Aufladen abkühlen.
4. Laden Sie den Akkublock auf, wenn Sie diesen für längere Zeit nicht verwenden (mehr als sechs Monate).

FUNKTIONSBESCHREIBUNG

⚠️ ACHTUNG:

- Schalten Sie das Werkzeug stets aus und entfernen Sie den Akkublock, bevor Sie Einstellungen oder eine Funktionsprüfung des Werkzeugs vornehmen.

Montage und Demontage des Akkublocks

Abb.1

⚠️ ACHTUNG:

- Schalten Sie das Werkzeug immer aus, bevor Sie den Akkublock einsetzen oder entnehmen.
- **Halten Sie das Werkzeug und den Akkublock sicher fest, wenn Sie den Akkublock einsetzen oder herausnehmen.** Andernfalls könnte Ihnen das Werkzeug oder der Akkublock aus den Händen fallen, sodass das Werkzeug oder der Akkublock beschädigt werden oder diese Verletzungen verursachen.

Zum Entnehmen des Akkublocks müssen Sie die Taste auf der Vorderseite des Akkublocks schieben und gleichzeitig den Akkublock aus dem Werkzeug herausziehen.

Zum Einsetzen des Akkublocks müssen Sie die Zunge des Akkublocks an der Rille im Gehäuse ausrichten und in die gewünschte Position schieben. Setzen Sie den Akkublock ganz ein, bis er mit einem Klick einrastet. Wenn Sie den roten Bereich oben auf der Taste sehen können, ist der Akkublock nicht ganz eingerastet.

⚠️ ACHTUNG:

- Setzen Sie den Akkublock unbedingt ganz ein, bis der rote Bereich nicht mehr zu sehen ist. Andernfalls kann der Akkublock versehentlich aus dem Werkzeug fallen und Sie oder Personen in Ihrem Umfeld verletzen.
- Setzen Sie den Akkublock nicht mit Gewalt ein. Wenn der Akkublock nicht leicht hineingleitet, ist er nicht richtig angesetzt.

Akku-Schutzsystem (Lithium-Ionen-Akku ist mit einem Stern gekennzeichnet)

Abb.2

Mit einem Stern gekennzeichnete Lithium-Ionen-Akkus verfügen über ein Schutzsystem. Dieses System schaltet die Stromversorgung des Werkzeugs automatisch aus, um die Lebensdauer des Akkus zu verlängern.

Unter folgenden Bedingungen des Werkzeugs und/oder des Akkus kann das Werkzeug während des Betriebs automatisch stoppen:

- Überlastet:

Das Werkzeug wird auf eine Weise betrieben, die zu einer anormal hohen Stromaufnahme führt.

Lassen Sie in dieser Situation den Ein/Aus-Schalter (Kippschalter oder Taster) des Werkzeugs los und beenden Sie die Arbeiten, die zu der Überlastung des Werkzeugs geführt haben. Betätigen Sie anschließend den Ein/Aus-Schalter (Kippschalter oder Taster) erneut, um das

Werkzeug wieder in Betrieb zu nehmen.

Wenn das Werkzeug nicht startet, ist der Akku überhitzt. Lassen Sie in dieser Situation den Akku erst abkühlen, bevor Sie wieder den Ein/Aus-Schalter (Kippschalter oder Taster) betätigen.

- Spannung des Akkus zu niedrig:
Die noch vorhandene Akkuladung ist zu niedrig, und das Werkzeug startet nicht. Entnehmen Sie in dieser Situation den Akku und laden Sie den Akku wieder auf.

Anzeigen der Restladung des Akkus

(Nur für Akkublocke mit einem "B" am Ende der Modellnummer.)

Abb.3

Drücken Sie zum Anzeigen der Restladung des Akkus die Akkuprüftaste. Die Anzeigelampen leuchten dann wenige Sekunden lang auf.

| Anzeigelampen | | | Verbleibende Akkuladung |
|---------------|-----------|--------|------------------------------------------------|
| Leuchtet | OFF (AUS) | Blinkt | |
| ■ | □ | ◐ | 75 % bis 100 % |
| ■ | ■ | □ | 50 % bis 75 % |
| ■ | ■ | □ | 25 % bis 50 % |
| ■ | □ | □ | 0 % bis 25 % |
| ◐ | □ | □ | Laden Sie den Akku auf. |
| ■ | ■ | □ | Möglicherweise liegt ein Defekt des Akkus vor. |
| □ | □ | ■ | |

015658

ANMERKUNG:

- In Abhängigkeit von den Bedingungen bei Gebrauch und von der Umgebungstemperatur kann der angezeigte Ladezustand geringfügig vom tatsächlichen Ladezustand abweichen.

Einschalten

⚠️ ACHTUNG:

- Achten Sie vor dem Einsetzen des Akkublocks in das Werkzeug darauf, dass sich der Ein/Aus-Schalter (Kippschalter oder Taster) korrekt bedienen lässt und beim Loslassen in die Position „OFF“ (AUS) zurückkehrt.

Abb.4

Damit der Ein/Aus-Schalter (Kippschalter oder Taster) nicht versehentlich betätigt wird, befindet sich am Werkzeug eine Arretierungstaste.

Betätigen Sie zum Starten des Werkzeugs den Ein/Aus-Schalter (Kippschalter oder Taster).

- Bei einem Kippschalter drücken Sie die Arretierungstaste und drücken Sie anschließend den Kippschalter, um das Werkzeug zu starten.

- Bei einem Taster drücken Sie die Arretierungstaste und drücken Sie anschließend den Taster, um das Werkzeug zu starten. Die Arretierungstaste kann von der linken sowie von der rechten Seite aus gedrückt werden.

Die Drehzahl des Werkzeugs wird durch größeren Druck auf den Ein/Aus-Schalter (Kippschalter oder Taster) erhöht. Lassen Sie zum Ausschalten des Werkzeugs den Ein/Aus-Schalter (Kippschalter oder Taster) los.

HINWEIS:

Betätigen Sie den Ein/Aus-Schalter (Kippschalter oder Taster) niemals mit Gewalt, ohne dabei die Arretierungstaste zu drücken. Anderenfalls kann der Ein/Aus-Schalter beschädigt werden.

Einschalten der vorderen Lampe

Abb.5

⚠️ACHTUNG:

Schauen Sie nicht direkt ins Licht oder die Lichtquelle. Bei Einschalten des Ein/Aus-Schalters (Kippschalter oder Taster) leuchtet die Lampe auf. Solange Sie den Ein/Aus-Schalter (Kippschalter oder Taster) auf EIN halten, leuchtet die Lampe.

Nach dem Loslassen des Ein/Aus-Schalters (Kippschalter oder Taster) erlischt die Lampe nach 10 - 15 Sekunden.

Einstellen des Schuhs

Abb.6

Wenn das Blatt an einer bestimmten Stelle seine Schneidfähigkeit verloren hat, können Sie den Schuh neu einstellen, um einen anderen, unverbrauchten Bereich zum Sägen zu verwenden. Dies verlängert die Lebensdauer des Blattes.

Um die Position des Schuhs zu verändern, lösen Sie mit Hilfe eines Inbusschlüssels die Schraube.

Schieben Sie den Schuh in die gewünschte Position und ziehen Sie dann die Schraube wieder fest.

MONTAGE

⚠️ACHTUNG:

- Schalten Sie das Werkzeug stets aus, und entfernen Sie den Akkublock, bevor Sie Arbeiten am Werkzeug ausführen.

Montage und Demontage des Sägeblatts

⚠️ACHTUNG:

- Säubern Sie Sägeblatt, Klemmschuh und/oder Schieber stets von anhaftenden Spänen oder Fremdkörpern. Tun Sie dies nicht, kann sich das Sägeblatt lösen, was zu schweren Personenschäden führen kann.

Für Modelle DJR143, DJR183

Abb.7

Führen Sie das Reciprosägeblatt bis zum Anschlag in den Klemmschuh ein. Der Sägeblatt-Klemmring dreht sich, und das Sägeblatt wird fixiert. Vergewissern Sie sich durch Zugversuch, dass sich das Sägeblatt nicht herausziehen lässt.

⚠️ACHTUNG:

- Wird das Sägeblatt nicht tief genug eingeführt, kann es während des Betriebs plötzlich herausgeschleudert werden. Dies kann gefährliche Folgen haben.

ANMERKUNG:

- Mit den Modellen DJR143 oder DJR183 kann das Stichsägeblatt nicht verwendet werden.

Abb.8

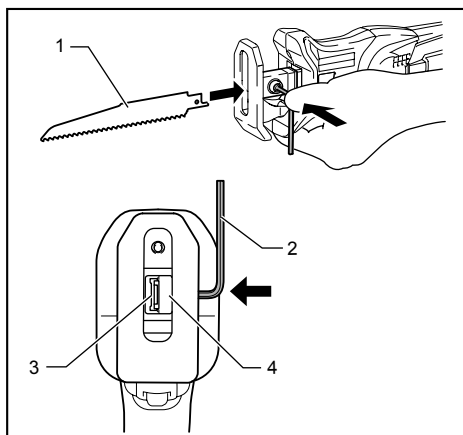
Um das Sägeblatt zu entfernen, drehen Sie den Sägeblatt-Klemmring bis zum Anschlag in Pfeilrichtung. Das Sägeblatt wird freigegeben und der Sägeblatt-Klemmring wird in der entriegelten Stellung fixiert.

ANMERKUNG:

- Wird das Sägeblatt entfernt, ohne den Sägeblatt-Klemmring vollständig zu drehen, wird der Klemmring möglicherweise nicht fixiert. Drehen Sie in diesem Fall den Sägeblatt-Klemmring vollständig, um ihn in der entriegelten Stellung zu fixieren.

Für Modelle DJR145, DJR185

Abb.9

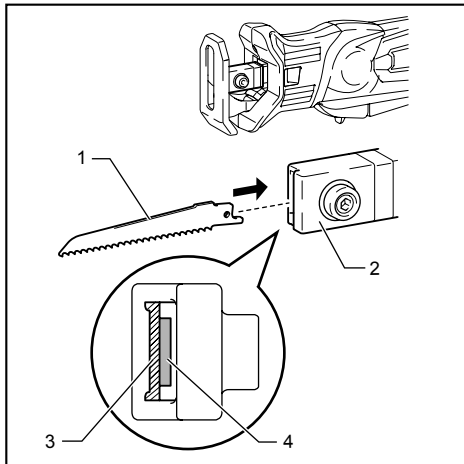


1. Reciprosägeblatt
2. Sechskantschlüssel
3. Loch für Reciprosägeblatt
4. Blattklemme

014048

Um das Sägeblatt einzusetzen, lösen Sie mit Hilfe eines Inbusschlüssels die Schraube.

Zum Einsetzen eines Reciprosägeblatts drücken Sie die Schraube mit dem Inbusschlüssel, um den Schlitz beim Einsetzen des Blattes zu öffnen.



1. Sägeblatt
2. Blattklemme
3. Loch für Reciprosägeblatt
4. Loch für Sticksägeblatt

014047

Abb.10

Sie können, den auszuführenden Arbeiten entsprechend, sowohl Sticksägeblätter (Typ B) als auch Reciprosägeblätter verwenden. Führen Sie das Sägeblatt gerade in den Klemmschuh ein und ziehen Sie das Sägeblatt mit Hilfe des Inbusschlüssels fest. Ziehen Sie leicht am Sägeblatt, um sicherzustellen, dass das Sägeblatt während des Betriebs nicht herausfällt.

Zum Ausbauen des Sägeblatts führen Sie den Einbauvorgang in umgekehrter Reihenfolge aus.

Aufbewahrung des Sechskantschlüssels

Abb.11

Wenn Sie den Sechskantschlüssel nicht verwenden, bewahren Sie ihn wie in der Abbildung dargestellt auf, damit er nicht verloren geht.

ARBEIT

⚠ACHTUNG:

- Drücken Sie den Schuh während des Betriebs immer fest gegen das Werkstück. Wird der Führungsanschlag während des Betriebs vom Werkstück weg gehalten, kann es zu Vibrationen und Windungen kommen, die das Blatt zerstören.
- Tragen Sie beim Schneiden von Metall immer Handschuhe, um sich gegen heiße, herumfliegende Metallsplitter zu schützen.
- Tragen Sie stets einen passenden Augenschutz, der den aktuellen gesetzlichen Normen entspricht.
- Verwenden Sie beim Schneiden von Metall ein angemessenes Kühlmittel (Schneideöl). Zuwiderhandlungen können zu vorzeitiger Blattabnutzung führen.

Abb.12

Drücken Sie den Schuh immer fest gegen das Werkstück. Achten Sie darauf, dass das Werkzeug nicht ausschlägt. Bringen Sie das Sägeblatt in leichten Kontakt mit dem Werkstück. Machen Sie zunächst einen Führungsschnitt bei niedriger Geschwindigkeit. Sägen Sie dann bei höherer Geschwindigkeit weiter.

Abb.13

Abb.14

- Sie können, den auszuführenden Arbeiten entsprechend, den Kippschalter oder den Taster als Ein/Aus-Schalter verwenden.

ANMERKUNG:

- Wenn das Werkzeug bis zur vollständigen Entladung des Akkus betrieben wurde, lassen Sie es 15 Minuten liegen, bevor Sie mit einem neuen Akku fortfahren.

WARTUNG

⚠ACHTUNG:

- Schalten Sie das Werkzeug stets aus und entfernen Sie den Akkublock, bevor Sie Inspektionen oder Wartungsarbeiten am Werkzeug vornehmen.
- Verwenden Sie zum Reinigen niemals Kraftstoffe, Benzin, Verdünnern, Alkohol oder ähnliches. Dies kann zu Verfärbungen, Verformungen oder Rissen führen.

Zur Aufrechterhaltung der SICHERHEIT und ZUVERLÄSSIGKEIT des Produkts müssen die Reparaturen und alle Wartungen und Einstellungen von den autorisierten Servicestellen der Firma Makita und unter Verwendung der Ersatzteile von Makita durchgeführt werden.

SONDERZUBEHÖR

⚠ACHTUNG:

- Für Ihr Werkzeug Makita, das in dieser Anleitung beschrieben ist, empfehlen wir folgende Zubehörteile und Aufsätze zu verwenden. Bei der Verwendung anderer Zubehörteile oder Aufsätze kann die Verletzungsgefahr für Personen drohen. Die Zubehörteile und Aufsätze dürfen nur für ihre festgelegten Zwecke verwendet werden.

Wenn Sie nähere Informationen bezüglich dieses Zubehörs benötigen, wenden Sie sich bitte an Ihre örtliche Servicestelle der Firma Makita.

- Reciprosägeblätter
- Sticksägeblätter (nur für Modelle DJR145, DJR185)
- Originalakku und Ladegerät von Makita

ANMERKUNG:

- Einige der in der Liste aufgeführten Elemente sind dem Werkzeugpaket als Standardzubehör beigelegt. Diese können in den einzelnen Ländern voneinander abweichen.

MAGYAR (Eredeti útmutató)

Az általános nézet magyarázata

| | | |
|----------------------------------|------------------------------|------------------------------|
| 1-1. Piros rész | 4-3. Kapcsolókar | 8-1. Fűrészlap |
| 1-2. Gomb | 4-4. Kapcsoló kioldógomb | 8-2. Fűrészlapszorító hüvely |
| 1-3. Akkumulátor | 5-1. Lámpa | 9-1. Imbuszkulcs |
| 2-1. Csillag jelzés | 6-1. Imbuszkulcs | 9-2. Fejecsavar |
| 3-1. Töltöttségjelző jelző lámpa | 6-2. Hatlapfejű csavar | 9-3. Lazítsa meg |
| 3-2. CHECK (ELLENŐRZÉS) gomb | 6-3. Lazítsa meg | 9-4. Rögzíteni |
| 4-1. Kireteszelőgomb | 7-1. Orrfűrészlap | 11-1. Imbuszkulcs |
| 4-2. Bekapcsoló retesz | 7-2. Fűrészlapszorító hüvely | 11-2. Kiemelkedés |

RÉSZLETES LEÍRÁS

| Modell | DJR143 | DJR145 | DJR183 | DJR185 |
|-------------------------------------------|-----------------------------------------------------------------|--------|--------------------------------------------------------------------------------------------------------|--------|
| Lökethossz | 13 mm | | | |
| Löketszám percenként (min ⁻¹) | 0 - 3000 | | | |
| Max. vágóteljesítmény | Cső | 50 mm | | |
| | Fa | 50 mm | | |
| Szabványos akkumulátor | BL1415 / BL1415N / BL1430 / BL1430B / BL1440 / BL1450 / BL1460B | | BL1815 / BL1815N / BL1820 / BL1820B / BL1830 / BL1830B / BL1840 / BL1840B / BL1850 / BL1850B / BL1860B | |
| Teljes hossz | 392 mm (BL1415 / BL1415N esetén) | | 392 mm (BL1815 / BL1815N / BL1820 / BL1820B esetén) | |
| | 397 mm (BL1430 / BL1430B / BL1440 / BL1450 / BL1460B esetén) | | 398 mm (BL1830 / BL1830B / BL1840 / BL1840B / BL1850 / BL1850B / BL1860B esetén) | |
| Tiszta tömeg | 1,5 kg (BL1415 / BL1415N esetén) | | 1,5 kg (BL1815 / BL1815N / BL1820 / BL1820B esetén) | |
| | 1,7 kg (BL1430 / BL1430B / BL1440 / BL1450 / BL1460B esetén) | | 1,8 kg (BL1830 / BL1830B / BL1840 / BL1840B / BL1850 / BL1850B / BL1860B esetén) | |
| Névleges feszültség | 14,4 V, egyenáram | | 18 V, egyenáram | |

- Folyamatos kutató- és fejlesztőprogramunk eredményeként az itt felsorolt tulajdonságok figyelmeztetés nélkül megváltozhatnak.
- A műszaki adatok és az akkumulátor országokonként változhatnak.
- Súly az akkumulátorral, a 01/2003 EPTA eljárás szerint meghatározva

ENE020-1

Rendeltetésszerű használat

A szerszám faanyagok, műanyagok és vastartalmú anyagok fűrészelésére használható.

ENG905-1

Zaj

A tipikus A-súlyozású zajszint, a EN60745szerint meghatározva:

Típus DJR143, DJR185

Hangnyomásszint (L_{pA}): 76 dB (A)

Tűrés (K): 3 dB (A)

A zajszint a munkavégzés során meghaladhatja a 80 dB (A) értéket.

Típus DJR145, DJR183

Hangnyomásszint (L_{pA}): 77 dB (A)

Tűrés (K): 3 dB (A)

A zajszint a munkavégzés során meghaladhatja a 80 dB (A) értéket.

Viseljen fülvédőt

ENG900-1

Vibráció

A vibráció teljes értéke (háromtengelyű vektorösszeg) EN60745 szerint meghatározva:

Típus DJR143, DJR145

Működési mód: lapok vágása

Rezgéskibocsátás ($a_{h,B}$): 7,0 m/s²

Tűrés (K): 1,5 m/s²

Működési mód: fagerenda vágása

Rezgéskibocsátás ($a_{h,WB}$): 7,0 m/s²

Tűrés (K): 1,5 m/s²

Típus DJR183, DJR185

Működési mód: lapok vágása
 Rezgés kibocsátás ($a_{h,b}$): 8,0 m/s²
 Tűrés (K): 1,5 m/s²

Működési mód: fagerenda vágása
 Rezgés kibocsátás ($a_{h,w,b}$): 7,0 m/s²
 Tűrés (K): 1,5 m/s²

ENG901-1

- A rezgés kibocsátás értéke a szabványos vizsgálati eljárásnak megfelelően lett mérve, és segítségével az elektromos kéziszerszámok összehasonlíthatók egymással.
- A rezgés kibocsátás értékének segítségével előzetesen megbecsülhető a rezgésnek való kitettség mértéke.

△ FIGYELMEZTETÉS:

- A szerszám rezgés kibocsátása egy adott alkalmazásnál eltérhet a megadott értéktől a használat módjától függően.
- Határozza meg a kezelő védelmét szolgáló munkavédelmi lépéseket, melyek az adott munkafeltételek melletti vibrációs hatás becsült mértékén alapulnak (figyelembe véve a munkaciklus elemeit, mint például a gép leállításának és üresjáratának mennyiségét az elindítások száma mellett).

ENH101-17

Csak európai országokra vonatkozóan**EK Megfelelőségi nyilatkozat****A Makita kijelenti, hogy az alábbi gép(ek):**

Gép megnevezése:

Akkumulátoros orrfűrész

Típusszám/típus: DJR143, DJR145, DJR183, DJR185

Megfelel a következő Európai direktíváknak:
2006/42/EC

Gyártása a következő szabványoknak, valamint szabványosított dokumentumoknak megfelelően történik:

EN60745

A műszaki leírás a 2006/42/EK előírásainak megfelelően elérhető innen:

Makita, Jan-Baptist Vinkstraat 2, 3070, Belgium

31.12.2013



000331

Yasushi Fukaya
Igazgató

Makita, Jan-Baptist Vinkstraat 2, 3070, Belgium

A szerszámgépekre vonatkozó általános biztonsági figyelmeztetések

△ **FIGYELEM** Olvassa el az összes biztonsági figyelmeztetést és utasítást. Ha nem tartja be a figyelmeztetéseket és utasításokat, akkor áramütést, tüzet és/vagy súlyos sérülést okozhat.

Őrizzen meg minden figyelmeztetést és utasítást a későbbi tájékozódás érdekében.

GEB048-2

VEZETÉK NÉLKÜLI LENGŐFŰRÉSZRE VONATKOZÓ BIZTONSÁGI FIGYELMEZTETÉSEK

1. **A szerszámgépet a szigetelt markolófelületeinél fogja, ha olyan műveletet végez, amikor a vágóeszköz rejtett vezetékkel érintkezhet.** Ha a vágóeszköz „élő” vezetékkel érintkezik, a szerszámgép fém alkatrészei is „áram alá” kerülhetnek, és a kezelőt áramütés érheti.
2. **Szorítókkal vagy más praktikus módon rögzítse és támassza meg a munkadarabot egy szilárd padozaton.** A munkadarab a kezeléssel vagy a testével való megtartás esetén instabil lehet és az uralom elvesztéséhez vezethet.
3. **Mindig viseljen védőszemüveget vagy szemvédőt. A normál szemüvegek vagy a napszemüvegek NEM védőszemüvegek.**
4. **Kerülje a szegek átvágását. A művelet megkezdése előtt ellenőrizze a munkadarabot, és húzza ki belőle a szegeket.**
5. **Ne vágjon túlméretes munkadarabokat.**
6. **Ellenőrizze a megfelelő hézagot a munkadarab mögött a vágás előtt, nehogy a vágószerszám a padlóba, munkapadba, stb. ütközzön.**
7. **Tartsa a szerszámot szilárdan.**
8. **Ellenőrizze, hogy a fűrészlap nem ér a munkadarabhoz, mielőtt bekapcsolja a kapcsolót.**
9. **Tartsa távol a kezét a mozgó alkatrészekről.**
10. **Ne hagyja a szerszámot bekapcsolva. Csak kézben tartva használja a szerszámot.**
11. **A fűrészlap eltávolítása előtt a munkadarabból mindig kapcsolja ki a szerszámot és várja meg, amíg a fűrészlap teljesen megáll.**
12. **Ne érjen a fűrészlaphoz vagy a munkadarabhoz közvetlenül a munkavégzés követően; azok rendkívül forrók lehetnek és megégethetik a bőrt.**

13. Ne működtesse a szerszámot terhelés nélkül fölöslegesen.
14. Mindig a megmunkált anyagnak és az alkalmazásnak megfelelő pormaszkot/gázálarcot használja.
15. Némelyik anyag mérgező vegyületet tartalmazhat. Gondoskodjon a por belélegzése elleni és érintés elleni védelemről. Kövesse az anyag szállítójának biztonsági utasításait.
7. Ne égesse el az akkumulátort még akkor sem, ha az komolyan megsérült vagy teljesen elhasználódott. Az akkumulátor a tűzben felrobbanhat.
8. Vigyázzon, ne hagyja leejtve vagy megüsdve az akkumulátort.
9. Ne használjon sérült akkumulátort.
10. Az akkumulátor ártalmatlanításakor tartsa be a helyi előírásokat.

ŐRIZZE MEG EZEKET AZ UTASÍTÁSOKAT.

⚠ FIGYELMEZTETÉS:

NE HAGYJA, hogy a kényelem vagy a termék (többszöri használatból adódó) mind alaposabb ismerete váltsa fel az adott termékre vonatkozó biztonsági előírások szigorú betartását. A HELYTELEN HASZNÁLAT és a használati útmutatóban szereplő biztonsági előírások megszegése súlyos személyi sérülésekhez vezethet.

ENC007-9

FONTOS BIZTONSÁGI SZABÁLYOK

AZ AKKUMULÁTORRA VONATKOZÓAN

1. Az akkumulátor használata előtt tanulmányozza át az akkumulátortöltőn (1), az akkumulátoron (2) és az akkumulátorral működtetett terméken (3) olvasható összes utasítást és figyelmeztető jelzést.
2. Ne szerelje szét az akkumulátort.
3. Ha a működési idő nagyon lerövidült, azonnal hagyja abba a használatot. Ez a túlmelegedés, esetleges égések és akár robbanás veszélyével is járhat.
4. Ha elektrolit kerül a szemébe, mossa ki azt tiszta vízzel és azonnal keresen orvosi segítséget. Ez a látásának elvesztését okozhatja.
5. Ne zárja rövidre az akkumulátort:
 - (1) Ne érjen az érintkezőkhöz elektromosan vezető anyagokkal.
 - (2) Ne tárolja az akkumulátort más fémtárgyakkal, mint pl. szegekkel, érmékkel, stb. egy helyen.
 - (3) Ne tegye ki az akkumulátort víznek vagy esőnek.

Az akkumulátor rövidzárlata nagy áramerősséget, túlmelegedést, égéseket, sőt akár meghibásodást is okozhat.

6. Ne tárolja a szerszámot vagy az akkumulátort olyan helyen, ahol a hőmérséklet elérheti vagy meghaladhatja az 50 ° C-ot (122 ° F).

ŐRIZZE MEG EZEKET AZ UTASÍTÁSOKAT.

Tippek a maximális élettartam eléréséhez

1. Töltse fel az akkumulátort még mielőtt teljesen lemerülne.
Mindig kapcsolja ki a szerszámot és töltsen fel az akkumulátort amikor érzi, hogy csökkent a szerszám teljesítménye.
2. Soha ne töltsen újra a teljesen feltöltött akkumulátort.
A túltöltés csökkenti az akkumulátor élettartamát.
3. Az akkumulátort szobahőmérsékleten töltsen 10 ° C - 40 ° C (50 ° F - 104 ° F) közötti hőmérsékleten. Hagyja, hogy a forró akkumulátor lehűljön, mielőtt elkezdje azt feltölteni.
4. Töltsen fel az akkumulátort, ha hosszabb ideig (több mint hat hónapig) nem használja.

MŰKÖDÉSI LEÍRÁS

⚠VIGYÁZAT:

- Minden esetben ellenőrizze, hogy a szerszám ki van kapcsolva és az akkumulátor eltávolításra került mielőtt beállít vagy ellenőriz valamilyen funkciót a szerszámon.

Az akkumulátor behelyezése és eltávolítása

Fig.1

⚠VIGYÁZAT:

- Mindig kapcsolja ki az eszközt, mielőtt behelyezi vagy eltávolítja az akkumulátort.
- Az akkumulátort és a szerszámot tartsa erősen, amikor az akkumulátort a szerszáma helyezi vagy eltávolítja arról.** Amennyiben nem így jár el, a szerszám vagy az akkumulátor a kezéből kicsúszhat és megsérülhet, illetve személyi sérülést okozhat.

Az akkumulátoregység kivételéhez nyomja be az akkumulátoregység elején található gombot, és tolja ki az egységet.

Az akkumulátor beszereléséhez illesse az akkumulátor nyelvét a burkolaton található vágatba és csúsztassa a helyére. Egészen addig tolja be, amíg egy kis kattanással a helyére nem ugrik. Ha látható a piros rész a gomb felső oldalán, akkor a gomb nem kattant be teljesen.

⚠VIGYÁZAT:

- Mindig tolja be teljesen az akkumulátort, amíg a piros rész el nem tűnik. Ha ez nem történik meg, akkor az akkumulátor kieshet a szerszámból, és Önnek vagy a környezetében másnak sérülést okozhat.
- Ne erőltesse be az akkumulátort. Ha az akkumulátor nem csúszik be könnyedén, akkor nem megfelelően lett behelyezve.

Akkumulátorvédő rendszer (lítiumion akkumulátor csillag jelzéssel)

Fig.2

A csillag jelzéssel ellátott lítiumion akkumulátorok akkumulátorvédő rendszerrel vannak felszerelve. A rendszer automatikusan lekapcsolja a szerszám áramellátását, így megnöveli az akkumulátor élettartamát. A szerszám használat közben automatikusan leáll, ha a szerszám és/vagy az akkumulátor a következő helyzetbe kerül:

- Túlterhelte:

A szerszámot úgy működteti, hogy az szokatlanul erős áramot vesz fel. Ilyenkor engedje fel a szerszám kapcsolókarját/kioldókapcsolóját, és állítsa le azt az alkalmazást, amely a túlterhelést okozta. Ezután húzza meg ismét a kapcsolókar/kioldókapcsolót, majd indítsa újra a szerszámot.

Ha a szerszám nem indul el, az akkumulátor túlmelegedett. Ilyenkor hagyja kihűlni az akkumulátort, mielőtt ismét meghúzná a kapcsolókar/kioldókapcsolót.

- Az akkumulátor töltöttsége alacsony: Az akkumulátor fennmaradó töltöttsége túl alacsony, a szerszámot nem tudja működtetni. Ilyenkor távolítsa el, és töltsse fel az akkumulátort.

Az akkumulátor töltöttségének jelzése

(Csak a "B" végződésű modellszámmal rendelkező akkumulátorok esetén.)

Fig.3

Nyomja meg az akkumulátor ellenőrző gombját a töltöttség jelzéséhez. A jelzőfények néhány másodpercre kigyulladnak.

| Töltöttség-szint-jelző lámpa | | | Töltöttség: |
|------------------------------|-----|---------------|--------------------------------------------------|
| Világító lámpa | KI | Villogó lámpa | |
| ■ | □ | ◐ | |
| ■ ■ ■ ■ | | | 75 - 100 % |
| ■ ■ ■ □ | | | 50 - 75 % |
| ■ ■ □ □ | | | 25 - 50 % |
| ■ □ □ □ | | | 0 - 25 % |
| ◐ □ □ □ | | | Töltsse fel az akkumulátort. |
| ■ ■ □ □ | ↑ ↓ | ■ ■ | Előfordulhat, hogy az akkumulátor meghibásodott. |

015658

MEGJEGYZÉS:

- Az adott munkafeltételektől és a környezet hőmérsékletétől függően a jelzett töltöttségi szint némileg eltérhet a tényleges töltöttségi szinttől.

A kapcsoló használata

⚠VIGYÁZAT:

- Mielőtt beszerelné az akkumulátort a szerszámba, mindig ellenőrizze, hogy a kapcsolókar/kioldókapcsoló hibátlanul működik és a „KI (OFF)” állásba áll felengedéskor.

Fig.4

A kapcsolókar/kioldókapcsoló véletlen meghúzásának elkerülésére egy kireteszelőkar/gomb van felszerelve. A szerszám bekapcsolásához húzza meg vagy a kapcsolókar/kioldókapcsolót.

- A szerszám indításához nyomja le a kireteszelőkar/kioldókapcsolót, majd a kapcsolókar/kioldókapcsolót.
- Nyomja meg a kireteszelő gombot, majd a kioldókapcsolót a kioldáshoz. A kireteszelőgombot balról és jobbról is meg lehet nyomni.

A gép fordulatszáma nő, ahogy egyre jobban húzza a kapcsolókart/kioldókapcsolót. Engedje fel a kapcsolókart/kioldókapcsolót a leállításhoz.

FIGYELMEZTETÉS:

Ne húzza túlzott erővel a kapcsolókart/kioldókapcsolót, ha nem nyomta be a kireteszelő kart/gombot. Ez a kapcsoló törését okozhatja.

Az előlő lámpa bekapcsolása

Fig.5

⚠VIGYÁZAT:

- Ne tekintsen a fénybe vagy ne nézze egyenesen a fényforrást.

Húzza meg a kapcsolókart/kioldókapcsolót a lámpa bekapcsolásához. A lámpa addig fog világítani, amíg a kapcsolókart/kioldókapcsoló be van húzva.

A lámpa a kapcsolókart/kioldókapcsoló elengedése után 10-15 másodperccel alszik ki.

A csúszósaru beállítása

Fig.6

Ha a fűrészlap vágási határfoka a vágóél valamelyik részén lecsökken, helyezze át a csúszósarut a vágóél egy éles, nem használt részének használatához. Ez segít a fűrészlap élettartamának meghosszabbításában. A papucs áthelyezéséhez lazítsa meg a csavart egy imbuszkulccsal.

Csúsztassa a papucsot a kívánt helyzetbe, majd húzza meg erősen a csavart.

ÖSSZESZERELÉS

⚠VIGYÁZAT:

- Minden esetben ellenőrizze, hogy a szerszám ki van kapcsolva és az akkumulátor eltávolításra került mielőtt bármilyen műveletet végez a szerszámon.

A fűrészlap felszerelése és eltávolítása

⚠VIGYÁZAT:

- Mindig távolítsa el a fűrészlaphoz, fűrészlappszorítóhoz és/vagy csúszkához tapadt forgácsokat és más idegen anyagot. Ennek elmulasztása a fűrészlap elégtelen rögzítését okozhatja, ami komoly személyi sérülésekhez vezethet.

DJR143, DJR183 típusok

Fig.7

Helyezze be az orrfűrészlapot a fűrészlapprogítóba annyira, amennyire csak lehet. A fűrészlapprogító persely elfordul és rögzíti a fűrészlapot. Győződjön meg arról, hogy a fűrészlapot nem lehet kihúzni, még akkor sem, ha szándékosan próbálja eltávolítani.

⚠VIGYÁZAT:

- Ha tolja be elég mélyen a fűrészlapot, akkor a fűrészlap váratlanul kilökődhet működtetés közben. Ez különösen veszélyes lehet.

MEGJEGYZÉS:

- A szűrőfűrészlap DJR143 és DJR183 típusok esetén nem használható

Fig.8

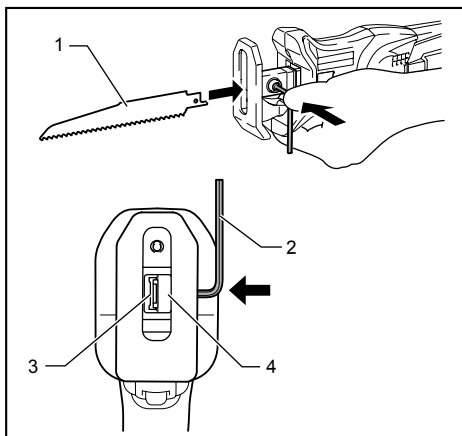
A fűrészlap eltávolításához forgassa el a fűrészlapprogító hüvelyt teljesen a nyíl irányába. A fűrészlap eltávolítható és a fűrészlapprogító hüvely rögzítésre kerül a kioldott pozícióban.

MEGJEGYZÉS:

- Ha úgy távolítja el a fűrészlapot, hogy a fűrészlapprogító hüvelyt nem fordította el teljesen, akkor a hüvely esetleg nem lesz rögzítve. Ebben az esetben fordítsa el teljesen a fűrészlapprogító hüvelyt, majd rögzítse a hüvelyt a kioldott pozícióban.

DJR145, DJR185 típusok

Fig.9

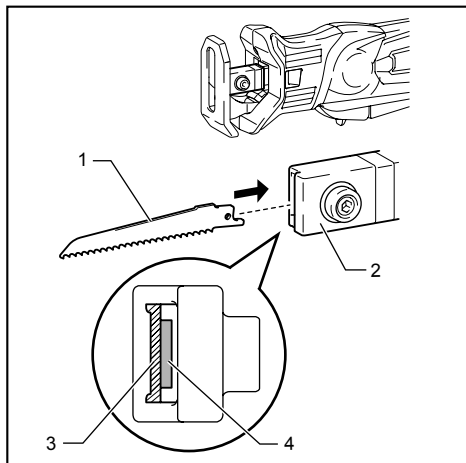


1. Orrfűrészlap
2. Imbuszkulcs
3. Rés az orrfűrészlaphoz
4. Fűrészlapprogító

014048

A fűrészlap felszereléséhez lazítsa meg a csavart imbuszkulcs segítségével.

Orrfűrészlap felszerelésekor nyomja meg a csavart az imbuszkulccsal a nyílás megnyitásához a fűrészlap behelyezése közben.



1. Fűrészlap
 2. Fűrészlapszorító
 3. Rész az orrfűrészlaphoz
 4. Rész a szűrőfűrészhez

014047

Fig.10

A munka típusa szerint használhat szűrő- (B típus) és orrfűrészlapot is. Helyezze be a fűrészlapot egyenesen a fűrészlap rögzítőbe, és szorítsa meg imbuszkulcs segítségével. Húzza meg a fűrészlapot gyengéden, hogy meggyőződjön arról, hogy a fűrészlap nem esik ki működés közben.

A fűrészlap eltávolításához kövesse a felszerelési eljárást fordított sorrendben.

Az imbuszkulcs tárolása

Fig.11

Amikor nem használja, tárolja az imbuszkulcsot az ábrán látható módon, nehogy elveszsen.

ÜZEMELTETÉS

⚠VIGYÁZAT:

- Használat közben mindig nyomja a csúszósarut erősen a munkadarabra. Ha a csúszósarut távol tartja a munkadarabtól működtetés közben, erős vibráció és/vagy megcsavarodás jöhet létre, amelyekről a fűrészlap veszélyesen elpattanhat.
- Mindig viseljen kesztyűt fémek vágásakor, hogy megvédje kezeit a szétrepülő forró forgácsoktól.
- Ügyeljen rá, hogy mindig legyen megfelelő szemvédelem, amely teljesíti az aktuális nemzeti szabványok előírásait.
- Fém vágásakor mindig használjon megfelelő hűtőközeget (vágóolajat). Ennek elmulasztása a fűrészlap idő előtti elkopásához vezet.

Fig.12

Nyomja erősen hozzá a pófát a munkadarabhoz. Ne engedje a szerszámot pattogni. Finoman érintse a fűrészlapot a munkadarabhoz. Először készítsen egy próbavágatot alacsony sebességen. Ezután magasabb segítségen folytassa a vágást.

Fig.13

Fig.14

- A munka típusa szerint használhatja a kapcsolókart vagy a kioldókapcsolót.

MEGJEGYZÉS:

- Ha szerszámot folyamatosan működteti addig, amíg az akkumulátor teljesen lemerül, 15 percig pihentesse a szerszámot mielőtt tovább folytatja a munkát egy feltöltött akkumulátorral.

KARBANTARTÁS

⚠VIGYÁZAT:

- Minden esetben ellenőrizze, hogy a szerszám ki van kapcsolva és az akkumulátor eltávolításra került mielőtt átvizsgálja a szerszámot vagy annak karbantartását végzi.
- Soha ne használjon gázolajt, benzint, hígítót, alkoholt vagy hasonló anyagokat. Ezek elszíneződést, alakvesztést vagy repedést okozhatnak.

A termék BIZTONSÁGÁNAK és MEGBÍZHATÓSÁGÁNAK fenntartásához, a javításokat, bármilyen egyéb karbantartást vagy beállításokat a Makita Autorizált Szervizközpontoknak kell végrehajtaniuk, mindig Makita pótalkatrészek használatával.

OPCIONÁLIS KIEGÉSZÍTŐK

⚠VIGYÁZAT:

- Ezek a tartozékok vagy kellékek ajánlottak az Önnek ebben a kézikönyvben leírt Makita szerszámához. Bármely más tartozék vagy kellék használata személyes veszélyt vagy sérülést jelenthet. A tartozékok vagy kellékek használja csupán annak kifejezett rendeltetésére.

Ha bármilyen segítségre vagy további információkra van szüksége ezekkel a tartozékokkal kapcsolatban, keresse fel a helyi Makita Szervizközpontot.

- Orrfűrészlapok
- Szűrőfűrészlapok (csak DJR145, DJR185 típusokhoz)
- Eredeti Makita akkumulátor és töltő

MEGJEGYZÉS:

- A listán felsorolt néhány kiegészítő megtalálható az eszköz csomagolásában standard kiegészítőként. Ezek országonként eltérőek lehetnek.

SLOVENSKÝ (Pôvodné pokyny)

Vysvetlenie všeobecného zobrazenia

| | | |
|-----------------------------|---------------------------------|----------------------------------|
| 1-1. Červený indikátor | 4-3. Spínacia páčka | 8-1. Čepeľ píly |
| 1-2. Tlačidlo | 4-4. Spúšť | 8-2. Vložka svorky ostria |
| 1-3. Kazeta akumulátora | 5-1. Svetlo | 9-1. Šesťhranný francúzsky kľúč |
| 2-1. Označenie hviezdčičkou | 6-1. Šesťhranný francúzsky kľúč | 9-2. Skrutka s maticou |
| 3-1. Indikátory | 6-2. Šesťboká skrutka | 9-3. Uvoľniť |
| 3-2. Tlačidlo CHECK | 6-3. Uvoľniť | 9-4. Ťiahnuť |
| 4-1. Tlačidlo odomknutia | 7-1. Ostrie vratnej píly | 11-1. Šesťhranný francúzsky kľúč |
| 4-2. Odblokovacia páčka | 7-2. Vložka svorky ostria | 11-2. Výčnelok |

TECHNICKÉ ÚDAJE

| Model | DJR143 | DJR145 | DJR183 | DJR185 |
|-------------------------------------|-----------------------------------------------------------------|--------|--------------------------------------------------------------------------------------------------------|--------|
| Dĺžka ťahu | 13 mm | | | |
| Ťahy za minútu (min ⁻¹) | 0 - 3000 | | | |
| Max. kapacita rezania | Rúrka | 50 mm | | |
| | Drevo | 50 mm | | |
| Štandardný akumulátor | BL1415 / BL1415N / BL1430 / BL1430B / BL1440 / BL1450 / BL1460B | | BL1815 / BL1815N / BL1820 / BL1820B / BL1830 / BL1830B / BL1840 / BL1840B / BL1850 / BL1850B / BL1860B | |
| Celková dĺžka | 392 mm (s BL1415 / BL1415N) | | 392 mm (s BL1815 / BL1815N / BL1820 / BL1820B) | |
| | 397 mm (s BL1430 / BL1430B / BL1440 / BL1450 / BL1460B) | | 398 mm (s BL1830 / BL1830B / BL1840 / BL1840B / BL1850 / BL1850B / BL1860B) | |
| Hmotnosť netto | 1,5 kg (s BL1415 / BL1415N) | | 1,5 kg (s BL1815 / BL1815N / BL1820 / BL1820B) | |
| | 1,7 kg (s BL1430 / BL1430B / BL1440 / BL1450 / BL1460B) | | 1,8 kg (s BL1830 / BL1830B / BL1840 / BL1840B / BL1850 / BL1850B / BL1860B) | |
| Menovité napätie | Jednosmerný prúd 14,4 V | | Jednosmerný prúd 18 V | |

• Vzhľadom k neustálemu výskumu a vývoju tu uvedené technické údaje podliehajú zmenám bez upozornenia.

• Technické špecifikácie a typ akumulátora sa môžu v rámci jednotlivých krajín líšiť.

• Hmotnosť s akumulátorom podľa postupu EPTA 01/2003

ENE020-1

Určené použitie

Tento nástroj je určený na pílenie dreva, plastu a železných materiálov.

ENG905-1

Hluk

Typická hladina akustického tlaku pri záťaži A určená podľa EN60745:

Model DJR143, DJR185

Hladina akustického tlaku (L_{pA}): 76 dB (A)

Odchýlka (K): 3 dB (A)

Úroveň hluku pri práci môže prekročiť 80 dB (A).

Model DJR145, DJR183

Hladina akustického tlaku (L_{pA}): 77 dB (A)

Odchýlka (K): 3 dB (A)

Úroveň hluku pri práci môže prekročiť 80 dB (A).

Používajte chrániče sluchu

ENG900-1

Vibrácie

Celková hodnota vibrácií (trojosový vektorový súčet) určená podľa normy EN60745:

Model DJR143, DJR145

Pracovný režim: rezanie dosiek

Emisie vibrácií ($a_{h,B}$): 7,0 m/s²

Odchýlka (K): 1,5 m/s²

Pracovný režim: rezanie drevených trámov

Emisie vibrácií ($a_{h,WB}$): 7,0 m/s²

Odchýlka (K): 1,5 m/s²

Model DJR183, DJR185

Pracovný režim: rezanie dosiek

Emisie vibrácií ($a_{h,B}$): 8,0 m/s²

Odchýlka (K): 1,5 m/s²

Pracovný režim: rezanie drevených trávov
 Emisie vibrácií ($a_{h,wb}$): 7,0 m/s²
 Odchýlka (K): 1,5 m/s²

ENG901-1

- Deklarovaná hodnota emisií vibrácií bola meraná podľa štandardnej skúšobnej metódy a môže sa použiť na porovnanie jedného náradia s druhým.
- Deklarovaná hodnota emisií vibrácií sa môže použiť aj na predbežné posúdenie vystavenia ich účinkom.

⚠VAROVANIE:

- Emisie vibrácií počas skutočného používania elektrického náradia sa môžu odlišovať od deklarovanej hodnoty emisií vibrácií, a to v závislosti na spôsoboch používania náradia.
- Nezabudnite označiť bezpečnostné opatrenia s cieľom chrániť obsluhu, a to tie, ktoré sa zakladajú na odhade vystavenia účinkom v rámci reálnych podmienok používania (berúc do úvahy všetky súčasti prevádzkového cyklu, ako sú doby, kedy je náradie vypnuté a kedy beží bez zaťaženia, ako dodatok k dobe zapnutia).

ENH101-17

Len pre európske krajiny

Vyhľadanie o zhode so smernicami Európskeho spoločenstva

Spoločnosť Makita vyhlasuje, že nasledovné strojné zariadenie(a):

Označenie strojného zariadenia:

Akumulátorová vratná píla

Číslo modelu/Typ: DJR143, DJR145, DJR183, DJR185

Je v zhode s nasledujúcimi európskymi smernicami:

2006/42/EC

Sú vyrobené podľa nasledovných noriem a štandardizovaných dokumentov:

EN60745

Technická dokumentácia podľa smernice 2006/42/ES je k dispozícii na adrese:

Makita, Jan-Baptist Vinkstraat 2, 3070, Belgicko

31.12.2013



000331

Yasushi Fukaya
 Riaditeľ

Makita, Jan-Baptist Vinkstraat 2, 3070, Belgicko

Všeobecné bezpečnostné predpisy pre elektronáradie

⚠ **UPOZORNENIE** Prečítajte si všetky upozornenia a inštrukcie. Nedodržavanie pokynov a inštrukcií môže mať za následok úraz elektrickým prúdom, požiar alebo vážne zranenie.

Všetky pokyny a inštrukcie si odložte pre prípad potreby v budúcnosti.

GEB048-2

BEZPEČNOSTNÉ VÝSTRAHY PRE AKUMULÁTOROVÚ RECIPROČNÚ PÍLU

1. Elektrické náradie pri práci držte len za izolované úchopné povrchy, lebo rezné príslušenstvo sa môže dostať do kontaktu so skrytými vodičmi. Rezné príslušenstvo, ktoré sa dostane do kontaktu so „živým“ vodičom môžu spôsobiť vystavenie kovových častí elektrického náradia „živému“ prúdu a spôsobiť tak obsluhu zasiahnutie elektrickým prúdom.
2. Pomocou svoriek alebo iným praktickým spôsobom zaistíte a podopriete obrobok k stabilnému povrchu. Pri držaní obrobku rukou alebo opretý oproti telu nebude stabilný a môžete nad ním stratiť kontrolu.
3. Vždy používajte ochranné okuliare alebo bezpečnostné okuliare. Obyčajné optické alebo slnečné okuliare NIE sú ochranné okuliare.
4. Nerežte klince. Pred prácou skontrolujte, či na obrobku nie sú klince a prípadne ich odstráňte.
5. Nerežte obrobky nadmernej veľkosti.
6. Pred rezaním skontrolujte správnu medzeru za obrobkom, aby ostrie nenarazilo na dlážku, pracovný stôl a pod.
7. Držte nástroj pevne .
8. Skôr, ako zapnete spínač, skontrolujte, či sa ostrie nedotýka obrobku.
9. Ruky držte mimo dosahu pohyblivých častí.
10. Nenechávajte nástroj bežať bez dozoru. Pracujte s ním, len keď ho držíte v rukách.
11. Predtým, ako odtiahnete ostrie z obrobku, vypnite nástroj a vždy počkajte, kým sa ostrie úplne nezastaví.
12. Nedotýkajte sa ostria alebo obrobku hneď po úkone; môžu byť extrémne horúce a môžu popáliť vašu pokožku.
13. Nepoužívajte nástroj zbytočne bez záťaž.
14. Vždy používajte správnu protiprachovú masku/respirátor primerané pre konkrétny materiál a použitie.

15. Niektoré materiály obsahujú chemikálie, ktoré môžu byť jedovaté. Dávajte pozor, abyste ich nevdychovali alebo sa ich nedotýkali. Prečítajte si bezpečnostné materiálové listy dodávateľa.

TIETO POKYNY USCHOVAJTE.

⚠VAROVANIE:

NIKDY nepripustíte, aby pohodlie a dobrá znalosť výrobku (získané opakovaným používaním) nahradili presné dodržiavanie bezpečnostných pravidiel pre nariadenie. **NESPRÁVNE POUŽÍVANIE** alebo nedodržiavanie bezpečnostných pokynov uvedených v tomto návode na obsluhu môže spôsobiť vážne poranenia osôb.

ENC007-9

DÔLEŽITÉ BEZPEČNOSTNÉ POKYNY

PRE JEDNOTKU AKUMULÁTORA

1. Pred použitím jednotky akumulátora si prečítajte všetky pokyny a záručné poznámky na (1) nabíjačke akumulátorov, (2) akumulátore a (3) produkte používajúcom akumulátor.
2. Jednotku akumulátora nerozoberajte.
3. Ak sa doba prevádzky príliš skrátí, ihneď prerušte prácu. Môže nastať riziko prehriatia, možných popálením či dokonca explózie.
4. V prípade zasiahnutia očí elektrolytom ich vypláchnite čistou vodou a okamžite vyhľadajte lekársku pomoc. Môže dôjsť k strate zraku.
5. Jednotku akumulátora neskratujte:
 - (1) Nedotýkajte sa konektorov žiadnym vodivým materiálom.
 - (2) Neskladujte jednotku akumulátora v obale s inými kovovými predmetmi, napríklad klincami, mincami a pod.
 - (3) Nabíjačku akumulátorov nevystavujte vode ani dažďu.Pri skratovaní akumulátora by mohlo dôjsť k vzrastu toku elektrického prúdu flow, prehriatiu, možným popáleninám či dokonca prebitiu.
6. Neskladujte nástroj ani jednotku akumulátora na miestach s teplotou presahujúcou 50 ° C (122 ° F).
7. Jednotku akumulátora nespáľujte, ani keď je vážne poškodená alebo úplne vydratá. Jednotka akumulátora môže v ohni explodovať.
8. Dávajte pozor, aby akumulátor nespadol alebo nenarazil do niečoho.

9. Nepoužívajte poškodený akumulátor.
10. Akumulátor zneškodnite v zmysle miestnych nariadení.

TIETO POKYNY USCHOVAJTE.

Rady pre udržanie maximálnej životnosti akumulátora

1. Akumulátor nabite ešte predtým, ako sa úplne vybije. Vždy prerušte prácu s nástrojom a nabite jednotku akumulátora, keď spozorujete nižší výkon nástroja.
2. Nikdy nenabíjate plne nabitú jednotku akumulátora. Prebíjanie skracuje životnosť akumulátora.
3. Jednotku akumulátora nabíjajte pri izbovej teplote pri 10 ° C - 40 ° C (50 ° F - 104 ° F). Pred nabíjaním nechajte jednotku akumulátora vychladnúť.
4. Ak nebudete jednotku akumulátora dlhodobo používať (dlhšie než šesť mesiacov), nabite ju.

POPIS FUNKCIE

⚠ POZOR:

- Pred úpravou alebo kontrolou funkčnosti nástroja vždy skontrolujte, či je nástroj vypnutý a blok akumulátora je vybratý.

Instalácia alebo demontáž kazety akumulátora

Fig.1

⚠ POZOR:

- Pred inštaláciou alebo vybratím akumulátora náradie vždy vypnite.
- **Pri vkladaní alebo vyberaní akumulátora uchopte pevne náradie aj akumulátor.** Opomenutie pevne uchopiť náradie a akumulátor môže mať za následok ich vyšmyknutie z rúk s dôsledkom poškodenia náradia a batérie, ako aj osobných poranení.

Ak chcete vybrať akumulátor, vysuňte ho zo zariadenia, pričom posuňte tlačidlo na prednej strane akumulátora.

Akumulátor vložte tak, že jazyk akumulátora nasmerujete na ryhu v kryte a zasuniete ju na miesto. Zatláče ho úplne, kým zakliknutím nezapadne na miesto. Ak vidíte červený indikátor na hornej strane tlačidla, nie je správne zapadnutý.

⚠ POZOR:

- Akumulátor vždy nainštalujte úplne, až kým nie je vidieť červený indikátor. V opačnom prípade môže náhodne vypadnúť z náradia a ublížiť vám alebo osobám v okolí.
- Pri inštalovaní jednotky akumulátora nepoužívajte silu. Ak sa jednotka nedá zasunúť ľahko, nekladáte ju správne.

Systém ochrany akumulátora (lítium-iónový akumulátor označený hviezdíčkou)

Fig.2

Lítium-iónové akumulátory označené hviezdíčkou sú vybavené systémom ochrany. Tento systém automaticky vypne napájanie náradia s cieľom predĺžiť životnosť akumulátora.

Náradie sa môže počas prevádzky automaticky zastaviť v prípade, ak náradie a/alebo akumulátor sú v rámci nasledujúcich podmienok.











- **Preťaženie:**
Náradie je prevádzkované spôsobom, ktorý spôsobuje odber nadmerne vysokého prúdu. V tejto situácii uvoľnite páčku vypínača/vypínač náradia a ukončíte aplikáciu, ktorá spôsobuje preťažovanie náradia. Následne náradie znova reštartujte potiahnutím páčky vypínača/vypínača. Ak sa náradie nespustí, akumulátor je prehriaty. V tejto situácii nechajte akumulátor pred opätovným potiahnutím páčky vypínača/vypínača vychladnúť.
- **Nízke napätie akumulátora:**
Zostávajúca kapacita akumulátora je veľmi nízka a náradie nebude fungovať. V tejto situácii akumulátor vyberte a nabite ho.

Indikácia zvyšnej kapacity akumulátora

(Len pre akumulátory, ktoré na konci čísla modelu obsahujú "B".)

Fig.3

Po stlačení tlačidla na kontrolu na akumulátore sa zobrazí zostávajúca kapacita akumulátora. Indikátory sa na niekoľko sekúnd rozsvietia.

| Indikátory | | | Zostávajúca kapacita |
|------------------------------------------------------------------------------------------|-------------------------------------------------------------------------------------------|-----------------------------------------------------------------------------------------|-----------------------------|
|  Svieti |  Vypnuté |  Bliká | |
|  | | | 75 % až 100 % |
|  | | | 50 % až 75 % |
|  | | | 25 % až 50 % |
|  | | | 0 % až 25 % |
|  | | | Akumulátor nabíte. |
|  |  | | Akumulátor je možno chybný. |

015658

POZNÁMKA:

- V závislosti na podmienkach používania a v závislosti na okolitej teplote sa môže vyznačenie mierne odlišovať od skutočnej kapacity.

Zapínanie

⚠ POZOR:

- Pred inštaláciou bloku akumulátora do náradia sa vždy presvedčte, či páčka vypínača/vypínač funguje správne a po uvoľnení sa vráti do pozície „OFF“.

Fig.4

Aby nedochádzalo k náhodnému potiahnutiu páčky vypínača/vypínača, nachádza sa tu odomykacia páčka/tlačidlo.

Ak chcete náradie zapnúť, jednoducho potiahnite páčku vypínača alebo vypínač.

- Pokiaľ ide o páčku vypínača, najprv potiahnite odomykaciu páčku a potom náradie naštartujte potiahnutím páčky vypínača.
- Pokiaľ ide o vypínač, stlačte odomykacie tlačidlo a náradie naštartujte potiahnutím vypínača. Odomykacie tlačidlo je možné stlačiť z pravej alebo z ľavej strany.

Otáčky náradia sa zvyšujú zvyšovaním prítlaku na páčku vypínača/vypínač. Zastavíte ho uvoľnením páčky vypínača/vypínača.

VAROVANIE:

Nevyťahujte silno páčku vypínača/vypínač bez potiahnutia odomykacej páčky/tlačidla. Môže to spôsobiť zlomenie vypínača.

Zapnutie prednej žiarovky

Fig.5

⚠POZOR:

- Neďívajte sa priamo do svetla alebo jeho zdroja.
- Lampu rozsvietite potiahnutím páčky vypínača/vypínača. Lampa bude svietiť, kým bude páčka vypínača/vypínača potiahnutý. Lampa automaticky zhasne po 10 až 15 sekundách po uvoľnení páčky vypínača/vypínača.

Nastavenie pätky

Fig.6

Keď ostrie stratí svoju účinnosť rezania na jednom mieste pozdĺž rezného okraja, zmeňte polohu pätky tak, aby ste využili ostrú, nepoužitú časť rezného okraja. To pomôže predĺžiť životnosti ostria.

Na zmenu polohy pätky uvoľnite skrutku pomocou šesťhranného kľúča.

Pätku posuňte do požadovanej polohy a potom skrutku pevne utiahnite.

MONTÁŽ

⚠POZOR:

- Pred vykonaním akejkoľvek práce na nástroji vždy skontrolujte, či je nástroj vypnutý a kazeta akumulátora je vybratá.

Montáž alebo demontáž pílového ostria

⚠POZOR:

- Vždy očistite všetky piliny a cudzie látky, ktoré sa prilepili na ostrie svorky ostria a/alebo jazdec. V opačnom prípade to môže spôsobiť nedostatočné utiahnutie ostria, čoho následkom môže byť vážne zranenie.

Pre model DJR143, DJR183

Fig.7

Zasuňte ostrie vratnej píly do svorky ostria, a to čo najďalej. Vložka svorky ostria sa otáča a pílové ostrie je zafixované. Skontrolujte, či sa pílové ostrie nedá vysunúť, aj keď ho skúsíte vytiahnuť.

⚠POZOR:

- Ak nezasuniete pílové ostrie dostatočne hlboko, pílové ostrie sa môže pri práci neočakávane vysunúť. To môže byť veľmi nebezpečné.

POZNÁMKA:

- Ostrie lupienkovej píly nemožno používať v prípade DJR143 alebo DJR183.

Fig.8

Ak chcete odstrániť pílové ostrie, úplne otočte vložku svorky ostria v smere šípky. Pílové ostrie sa vyberie a vložka svorky ostria sa zafixuje v uvoľnenej polohe.

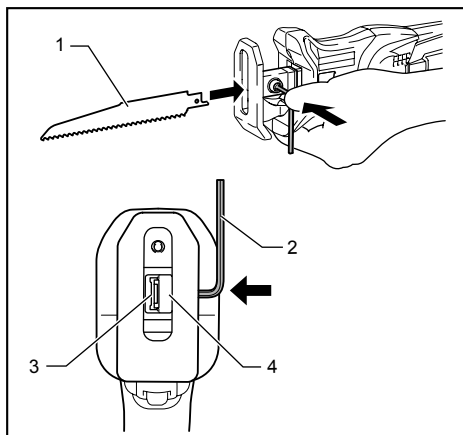
POZNÁMKA:

- Ak odstránite pílové ostrie bez plného otočenia vložky svorky ostria, vložka sa nemusí zafixovať.

V takom prípade plne otočte vložku svorky ostria a potom zafixujte vložku v uvoľnenej polohe.

Pre model DJR145, DJR185

Fig.9

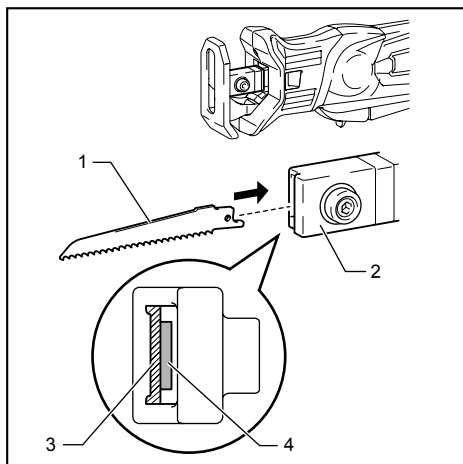


1. Ostrie vratnej píly
2. Šesťhranný francúzsky kľúč
3. Otvor pre ostrie vratnej píly
4. Svorka čepele

014048

Ak chcete nainštalovať pílové ostrie, pomocou šesťhranného kľúča uvoľnite skrutku.

Pri inštalácii pílového ostria vratnej píly stlačte skrutku šesťhranným kľúčom a počas zasúvania ostria otvorte štrbinu.



1. Čepeľ píly
2. Svorka čepele
3. Otvor pre ostrie vratnej píly
4. Otvor pre ostrie lupienkovej píly

014047

Fig.10

Podľa vykonávanej práce môžete používať ostria vratnej píly (typ B) a ostria lupienkovej píly. Pílové ostrie zasunite rovno do svorky ostria a utiahnite šesťhranným kľúčom. Pílové ostrie jemne potiahnite a presvedčte sa, že pílové ostrie počas prevádzky nevypadne. Ak chcete odstrániť pílové ostrie, postupujte podľa inštaláčného postupu v opačnom poradí.

Uskladnenie šesťhranného francúzskeho kľúča

Fig.11

Ak šesťhranný francúzsky kľúč nepoužívate, uskladnite ho podľa obrázkového návodu, aby sa nestratil.

PRÁCA

⚠POZOR:

- Pri práci vždy pritláčajte pätku pevne na obrobok. Ak pri práci nedržíte pätku na obrobku, bude dochádzať k silným vibráciám a/alebo skrúteniu, čo spôsobí nebezpečné odsakovanie ostria.
- Pri rezaní kovu vždy používajte rukavice, ktoré ochránia vaše ruky pred horúcim odletujúcimi odrezkami.
- Vždy používajte vhodnú ochranu zraku, ktorá vyhovuje súčasným miestnym štandardom.
- Vždy použite vhodnú chladiacu tekutinu (olej na rezanie), keď budete rezat' kovy. V opačnom prípade dôjde k predčasnému opotrebovaniu ostria.

Fig.12

Pritláčajte pätku pevne na obrobok. Nedovoľte, aby nástroj poskakoval. Pílové ostrie jemne priložte do kontaktu s obrobkom. Najskôr vykonajte úvodný rez pri menšej rýchlosti. Potom pokračujte v rezaní vyššou rýchlosťou.

Fig.13

Fig.14

- Podľa svojej práce môžete používať páčku vypínača alebo vypínač.

POZNÁMKA:

- Ak sa s nástrojom pracuje priebežne, až kým sa kazeta batérie nevybijie, nechajte nástroj odpočívať po dobu 15 minút pred vložením nabitej batérie.

ÚDRŽBA

⚠POZOR:

- Pred vykonaním kontroly alebo údržby vždy skontrolujte, či je nástroj vypnutý a blok akumulátora je vybratý.
- Nepoužívajte benzín, riedidlo, alkohol ani nič podobné. Mohlo by to spôsobiť zmenu farby, deformácie alebo praskliny.

Kvôli zachovaniu BEZPEČNOSTI a SPOLAHLIVOSTI výrobkov musia byť opravy a akákoľvek ďalšia údržba či nastavovanie robené autorizovanými servisnými strediskami firmy Makita a s použitím náhradných dielov Makita.

VOLITEL'NÉ PRÍSLUŠENSTVO

⚠POZOR:

- Pre váš nástroj Makita, opísaný v tomto návode, doporučujeme používať toto príslušenstvo a nástavce. Pri použití iného príslušenstva či nástavcov môže hroziť nebezpečenstvo zranenia osôb. Príslušenstvo a nástavce sa môžu používať len na účely pre ne stanovené.

Ak potrebujete bližšie informácie týkajúce sa tohoto príslušenstva, obráťte sa na vaše miestne servisné stredisko firmy Makita.

- Ostria vratnej píly
- Ostria lupienkovej píly (len pre model DJR145, DJR185)
- Originálna batéria a nabíjačka Makita

POZNÁMKA:

- Niektoré položky zo zoznamu môžu byť súčasťou balenia náradia vo forme štandardného príslušenstva. Rozsah týchto položiek môže byť v každej krajine odlišný.

ČESKÝ (originální návod k obsluze)

Legenda všeobecného vyobrazení

| | | |
|--------------------------------|----------------------------------|----------------------------|
| 1-1. Červený indikátor | 4-3. Spínací páčka | 8-1. Pilový list |
| 1-2. Tlačítko | 4-4. Spoušť | 8-2. Upínací pouzdro listu |
| 1-3. Akumulátor | 5-1. Světlo | 9-1. Imbusový klíč |
| 2-1. Značka hvězdičky | 6-1. Imbusový klíč | 9-2. Šroub |
| 3-1. Kontrolky | 6-2. Šroub s šestihrannou hlavou | 9-3. Povolit |
| 3-2. Tlačítko CHECK (kontrola) | 6-3. Povolit | 9-4. Utáhnout |
| 4-1. Odjišťovací tlačítko | 7-1. Pilový list k pile ocasce | 11-1. Imbusový klíč |
| 4-2. Odblokovací páčka | 7-2. Upínací pouzdro listu | 11-2. Výstupek |

TECHNICKÉ ÚDAJE

| Model | DJR143 | DJR145 | DJR183 | DJR185 |
|----------------------------------------------|-----------------------------------------------------------------|--------|--------------------------------------------------------------------------------------------------------|--------|
| Výška zdvihu | 13 mm | | | |
| Počet zdvíchů za minutu (min ⁻¹) | 0 - 3 000 | | | |
| Max. kapacita řezání | Trubka | 50 mm | | |
| | Dřevo | 50 mm | | |
| Standardní blok akumulátoru | BL1415 / BL1415N / BL1430 / BL1430B / BL1440 / BL1450 / BL1460B | | BL1815 / BL1815N / BL1820 / BL1820B / BL1830 / BL1830B / BL1840 / BL1840B / BL1850 / BL1850B / BL1860B | |
| Celková délka | 392 mm (s BL1415 / BL1415N) | | 392 mm (s BL1815 / BL1815N / BL1820 / BL1820B) | |
| | 397 mm (s BL1430 / BL1430B / BL1440 / BL1450 / BL1460B) | | 398 mm (s BL1830 / BL1830B / BL1840 / BL1840B / BL1850 / BL1850B / BL1860B) | |
| Hmotnost netto | 1,5 kg (s BL1415 / BL1415N) | | 1,5 kg (s BL1815 / BL1815N / BL1820 / BL1820B) | |
| | 1,7 kg (s BL1430 / BL1430B / BL1440 / BL1450 / BL1460B) | | 1,8 kg (s BL1830 / BL1830B / BL1840 / BL1840B / BL1850 / BL1850B / BL1860B) | |
| Jmenovité napětí | 14,4 V DC | | 18 V DC | |

• Vzhledem k neustálému výzkumu a vývoji zde uvedené technické údaje podléhají změnám bez upozornění.

• Technické údaje a blok akumulátoru se mohou v různých zemích lišit.

• Hmotnost s blokem akumulátoru dle EPTA – Procedure 01/2003

ENE020-1

Určení nástroje

Nástroj je určen k řezání dřeva, plastů a železných materiálů.

ENG905-1

Hlučnost

Typická vážená hladina hluku (A) určená podle normy EN60745:

Model DJR143, DJR185

Hladina akustického tlaku (L_{pA}): 76 dB (A)

Nejistota (K): 3 dB (A)

Hladina hluku při práci může překročit hodnotu 80 dB (A).

Model DJR145, DJR183

Hladina akustického tlaku (L_{pA}): 77 dB (A)

Nejistota (K): 3 dB (A)

Hladina hluku při práci může překročit hodnotu 80 dB (A).

Používejte ochranu sluchu

ENG900-1

Vibrace

Celková hodnota vibrací (vektorový součet tří os) určená podle normy EN60745:

Model DJR143, DJR145

Pracovní režim: řezání desek

Emise vibrací ($a_{h,B}$): 7,0 m/s²

Nejistota (K): 1,5 m/s²

Pracovní režim: řezání dřevěných hranolů

Emise vibrací ($a_{h,WB}$): 7,0 m/s²

Nejistota (K): 1,5 m/s²

Model DJR183, DJR185

Pracovní režim: řezání desek

Emise vibrací ($a_{h,B}$): 8,0 m/s²

Nejistota (K): 1,5 m/s²

Pracovní režim: řezání dřevěných hranolů
 Emise vibrací ($a_{h,WB}$): 7,0 m/s²
 Nejistota (K): 1,5 m/s²

ENG901-1

- Deklarovaná hodnota emisí vibrací byla změněna v souladu se standardní testovací metodou a může být využita ke srovnávání nářadí mezi sebou.
- Deklarovanou hodnotu emisí vibrací lze rovněž využít k předběžnému posouzení vystavení jejich vlivu.

⚠VAROVÁNÍ:

- Emise vibrací během skutečného používání elektrického nářadí se mohou od deklarované hodnoty emisí vibrací lišit v závislosti na způsobu použití nářadí.
- Na základě odhadu vystavení účinkům vibrací v aktuálních podmínkách zajistíte bezpečnostní opatření k ochraně obsluhy (vezměte v úvahu všechny části pracovního cyklu, mezi něž patří kromě doby pracovního nasazení i doba, kdy je nářadí vypnuto nebo pracuje ve volnoběhu).

ENH101-17

Pouze pro země Evropy

Prohlášení ES o shodě

Společnost Makita prohlašuje, že následující zařízení:

Popis zařízení:

Akumulátorová pila ocaska

Č. modelu/typ: DJR143, DJR145, DJR183, DJR185

A vyhovuje následujícím evropským směrnici:
 2006/42/EC

Zařízení bylo vyrobeno v souladu s následující normou či normativními dokumenty:

EN60745

Technická dokumentace dle 2006/42/ES je k dispozici na adrese:

Makita, Jan-Baptist Vinkstraat 2, 3070, Belgie

31.12.2013



000331

Yasushi Fukaya
 Ředitel

Makita, Jan-Baptist Vinkstraat 2, 3070, Belgie

GEA010-1

Obecná bezpečnostní upozornění k elektrickému nářadí

⚠ **UPOZORNĚNÍ** Přečtěte si všechna bezpečnostní upozornění a pokyny. Při nedodržení upozornění a pokynů může dojít k úrazu elektrickým proudem, požáru nebo vážnému zranění.

Všechna upozornění a pokyny si uschovejte pro budoucí potřebu.

BEZPEČNOSTNÍ UPOZORNĚNÍ K AKUMULÁTOROVÉ PILE OCASCE

1. Při práci v místech, kde může dojít ke kontaktu nástrojů z příslušenství se skrytým elektrickým vedením, držte elektrické nářadí za izolované části držadel. Nástroje z příslušenství mohou při kontaktu s vodičem pod napětím přenést proud do nechráněných částí nářadí a obsluha může utrpět úraz elektrickým proudem.
2. Uchyťte a podepřete díl na stabilní podložce pomocí svorek nebo jiným praktickým způsobem. Budete-li díl držet rukama nebo opřený o vlastní tělo, bude nestabilní a může způsobit ztrátu kontroly.
3. Vždy používejte ochranné brýle. Běžné dioptrické brýle nebo sluneční brýle NEJSOU ochranné brýle.
4. Neřežte hřebíky. Před zahájením provozu zkontrolujte, zda se v dílu nenacházejí hřebíky a případné hřebíky odstraňte.
5. Neřežte příliš velké díly.
6. Před řezáním zkontrolujte, zda se pod dílem nachází dostatečný volný prostor, aby kotouč nenarazil na podlahu, pracovní stůl, apod.
7. Držte nástroj pevně.
8. Před aktivací spínače se přesvědčte, že se kotouč nedotýká dílu.
9. Udržujte ruce mimo pohyblivé díly.
10. Nenechávejte nástroj běžet bez dozoru. Pracujte s ním, jen když jej držíte v rukou.
11. Před vytažením kotouče z dílu vždy nástroj vypněte a počkejte, dokud se kotouč úplně nezastaví.
12. Bezprostředně po ukončení práce se nedotýkejte kotouče ani dílu; mohou dosahovat velmi vysokých teplot a popálit pokožku.
13. Neprovazujte nástroj zbytečně bez zatížení.
14. Vždy používejte protiprachovou masku / respirátor odpovídající materiálu, se kterým pracujete.
15. Některé materiály obsahují chemikálie, které mohou být jedovaté. Dávejte pozor, abyste je nevdechovali nebo se jich nedotýkali. Přečtěte si bezpečnostní materiálové listy dodavatele.

TYTO POKYNY USCHOVEJTE.

⚠VAROVÁNÍ:

NEDOVOLTE, aby pohodlnost nebo pocit znalosti výrobku (získaný na základě opakovaného používání) vedly k zanedbání dodržování bezpečnostních pravidel platných pro tento výrobek. **NESPRÁVNÉ POUŽÍVÁNÍ** nebo nedodržení bezpečnostních pravidel uvedených v tomto návodu k obsluze může způsobit vážné zranění.

DŮLEŽITÉ BEZPEČNOSTNÍ POKYNY

AKUMULÁTOR

1. Před použitím akumulátoru si přečtěte všechny pokyny a varovné symboly na (1) nabíječe, (2) baterii a (3) výrobku využívajícím baterii.
2. Akumulátor nedemontujte.
3. Pokud se příliš zkrátí provozní doba akumulátoru, přerušte okamžitě provoz. V opačném případě existuje riziko přehřívání, popálení nebo dokonce výbuchu.
4. Budou-li vaše oči zasaženy elektrolytem, vypláchněte je čistou vodou a okamžitě vyhledejte lékařskou pomoc. Může dojít ke ztrátě zraku.
5. Akumulátor nezkratujte:
 - (1) Nedotýkejte se svorek žádným vodivým materiálem.
 - (2) Akumulátor neskladujte v nádobě s jinými kovovými předměty, jako jsou hřebíky, mince, apod.
 - (3) Akumulátor nevystavujte vodě ani dešti. Zkrat akumulátoru může způsobit velký průtok proudu, přehřátí, možné popálení a dokonce i poruchu.
6. Neskladujte nástroj a akumulátor na místech, kde může teplota překročit 50 ° C (122 ° F).
7. Nespalujte akumulátor, ani když je vážně poškozen nebo úplně opotřeben. Akumulátor může v ohni vybuchnout.
8. Dávejte pozor, abyste baterii neupustili ani si nenaráželi.
9. Nepoužívejte poškozené akumulátory.
10. Při likvidaci akumulátoru postupujte podle místních předpisů.

TYTO POKYNY USCHOVEJTE.

Tipy k zajištění maximální životnosti akumulátoru

1. Akumulátor nabijte před tím, než dojde k úplnému vybití baterie. Pokud si povšimnete sníženého výkonu nástroje, vždy jej zastavte a dobijte akumulátor.
2. Nikdy nenabíjete úplně nabitý akumulátor. Přebíjení zkracuje životnost akumulátoru.
3. Akumulátor nabíjete při pokojové teplotě v rozmezí od 10 ° C do 40 ° C (50 ° F - 104 ° F). Před nabíjením nechte horký akumulátor zchladnout.
4. Nebudete-li nářadí delší dobu používat (déle než šest měsíců), dobijte blok akumulátoru.

POPIS FUNKCE

⚠POZOR:

- Před nastavováním nástroje nebo kontrolou jeho funkce se vždy přesvědčte, zda je nástroj vypnutý a je odpojen jeho akumulátor.

Instalace a demontáž akumulátoru

Fig.1

⚠POZOR:

- Před nasazením či sejmutím bloku akumulátoru nářadí vždy vypněte.
- Při nasazování či snímání bloku akumulátoru pevně držte nářadí i akumulátor. V opačném případě vám mohou nářadí nebo akumulátor vyklouznout z ruky a mohlo by dojít k jejich poškození či ke zranění.

Jestliže chcete blok akumulátoru vyjmout, vysuňte jej se současným přesunutím tlačítka na přední straně akumulátoru.

Při instalaci akumulátoru vyrovnejte jazýček na bloku akumulátoru s drážkou v krytu a zasuňte akumulátor na místo. Akumulátor zasuňte na doraz, až zacvakne na místo. Není-li tlačítko zcela zajištěno, uvidíte na jeho horní straně červený indikátor.

⚠POZOR:

- Akumulátor zasunujte vždy zcela tak, aby nebyl červený indikátor vidět. Jinak by mohl akumulátor ze zařízení vypadnout a způsobit zranění obsluze či přihlížejícím osobám.
- Blok akumulátoru nenasazujte násilím. Nelze-li akumulátor zasunout snadno, nevládně jej správně.

Systém ochrany akumulátoru (lithium-iontový akumulátor se značkou hvězdičky)

Fig.2

Lithium-iontové akumulátory se značkou hvězdičky jsou vybaveny systémem ochrany. Tento systém automaticky přeruší napájení nářadí, aby se prodloužila životnost akumulátoru.

Budou-li nářadí nebo akumulátor vystaveny některé z níže uvedených podmínek, nářadí se během provozu automaticky vypne:

- Přetížení:

S nářadím se pracuje takovým způsobem, že dochází k odběru mimořádně vysokého proudu. V takovém případě uvolníte přepínací páčku/spoušť nářadí a ukončíte činnost, jež vedla k přetížení zařízení. Potom nářadí opětovným stisknutím přepínací páčky/spouště znovu spustíte. Jestliže se nářadí nespustí, došlo k přehřátí akumulátoru. V takovém případě nechte akumulátor před opětovným stisknutím přepínací páčky/spouště vychladnout.









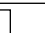





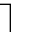

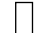







- Nízké napětí akumulátoru:
Zbývající kapacita akumulátoru je příliš nízká a nářadí nebude pracovat. V takovém případě vyjměte akumulátor a dobijte jej.

Indikace zbývající kapacity akumulátoru

(Pouze pro bloky akumulátorů označené písmenem „B“ na konci čísla modelu.)

Fig.3

Stisknutím kontrolního tlačítka na bloku akumulátoru zobrazíte zbývající kapacitu akumulátoru. Kontrolky indikátoru se na několik sekund rozsvítí.

| Kontrolky | | | Zbývající kapacita |
|-----------------------------------------------------------------------------------------|---------------------------------------------------------------------------------------|-----------------------------------------------------------------------------------------|-------------------------------------------|
|  Svítí |  VYP |  Bliká | |
|  |  |  | 75 až 100 % |
|  |  |  | 50 až 75 % |
|  |  |  | 25 až 50 % |
|  |  |  | 0 až 25 % |
|  |  |  | Nabíje akumulátor. |
|  |  |  | Došlo pravděpodobně k poruše akumulátoru. |
|  |  |  | |

015658

POZNÁMKA:

- Kapacita udávaná indikátorem se může mírně lišit od kapacity skutečné v závislosti na podmínkách používání a teplotě prostředí.

Zapínání

⚠ POZOR:

- Před instalací bloku akumulátoru do zařízení vždy zkontrolujte správnou funkci přepínací páčky/spouště a zda se po uvolnění vrací do polohy „VYP“.

Fig.4

K zamezení náhodnému stisknutí přepínací páčky/spouště je zařízení vybaveno odjišťovací páčkou/tlačítkem.

Nářadí spustíte stisknutím přepínací páčky/spouště.

- V případě přepínací páčky přesuňte odjišťovací páčku a nářadí spustíte přepínací páčkou.
- V případě spouště stiskněte odjišťovací tlačítko a nářadí spustíte stisknutím spouště. Odjišťovací tlačítko lze stisknout zprava i zleva.

Otáčky nářadí se zvyšují zvyšováním tlaku na přepínací páčku/spoušť. Nářadí vypnete uvolněním přepínací páčky/spouště.

UPOZORNĚNÍ:

Přepínací páčku/spoušť nemačkejte silou bez stisknutí odjišťovací páčky/tlačítka. Mohlo by dojít k poškození spínače.

Rozsvícení předního světla

Fig.5

⚠ POZOR:

- Neřivíte přímo do světla nebo jeho zdroje. Světlo rozsvítíte stisknutím přepínací páčky/spouště. Světlo svítí po celou dobu stisknutí přepínací páčky/spouště. Světlo automaticky zhasne po 10–15 sekundách od uvolnění přepínací páčky/spouště.

Seřízení patky

Fig.6

Jakmile pilový list ztratí svoji řeznou kapacitu na jednom místě svého břitu, přemístíte patku a takto budete moci použít ostrou a nepoužitou část ostří. Prolouží se tak životnost pilového listu. Změnu polohy patky provedete povolením šroubu imbusovým klíčem.

Patku přesuňte do požadované polohy a šroub pevně dotáhněte.

MONTÁŽ

⚠ POZOR:

- Před prováděním libovolných prací na nástroji se vždy přesvědčte, zda je nástroj vypnutý a je odpojen jeho akumulátor.

Instalace a demontáž pilového listu

⚠ POZOR:

- Vždy očistěte všechny třísky a cizí materiál přilnulý na listu, svorce listu a/nebo kluzném vodičku. V opačném případě může dojít k nedostatečnému upnutí listu a následně vážnému zranění.

Model DJR143, DJR183

Fig.7

Pilový list pily ocasky zasuňte co nejdále do svorky listu. Pouzdro svorky pilového listu se otočí a list uchytlí. Ujistěte se, zda pilový list drží i ve chvíli, kdy se list pokusíte vytáhnout ven.

⚠ POZOR:

- Pokud pilový list nevložíte dostatečně hluboko, může se během provozu neočekávaně uvolnit. To může být velice nebezpečné.

POZNÁMKA:

- Pilový list k přímočaré pile nelze použít u modelu DJR143 nebo DJR183.

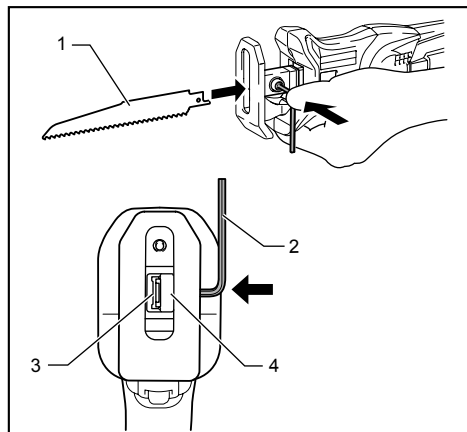
Fig.8

Chcete-li uvolnit pilový list, otočte upínací svorku listu úplně ve směru šipky. Pilový list se uvolní a upínací svorka listu se zajistí v uvolněné poloze.

POZNÁMKA:

- Pokud pilový list uvolníte bez úplného otočení upínacího pouzdra listu, nemusí se pouzdro zafixovat. V takovém případě otočte úplně upínací pouzdro listu a poté pouzdro zajistěte v uvolněné poloze.

Fig.9

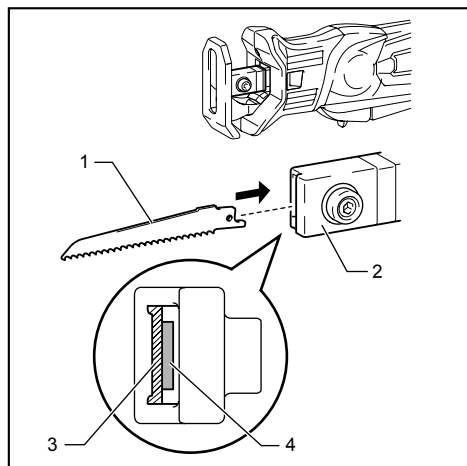


1. Pilový list k pile ocasce
2. Imbusový klíč
3. Otvor pro pilový list pily ocasky
4. Svorka nástroje

014048

Při instalaci pilového listu povolte imbusovým klíčem šroub.

Při instalaci pilového listu pily ocasky stiskněte imbusovým klíčem šroub a rozevřete při vkládání listu pily drážku.



1. Pilový list
2. Svorka nástroje
3. Otvor pro pilový list pily ocasky
4. Otvor pro pilový list přímočaré pily

014047

Fig.10

Podle typu vykonávané práce můžete použít pilové listy k přímočaré pile (typ B) a pilové listy pro pily

ocasky. Pilový list zasuňte zpříma do svorky listu a dotáhněte jej imbusovým klíčem. Mírným potáhnutím za pilový list se ubezpečte o pevném uchycení, aby list za provozu nevypadnul.

Vyjmutí pilového listu provedete opačným postupem.

Uložení imbusového klíče

Fig.11

Není-li používán, uložte imbusový klíč jak je ilustrováno na obrázku. Předejdete tak jeho ztrátu.

PRÁCE

⚠ POZOR:

- Během provozu vždy tlačte patku silně na řezaný díl. Pokud patka nebude během řezání vedena na povrchu dílu, vzniknou silné vibrace a/nebo dojde ke zkroucení a následně nebezpečnému prasknutí listu.
- Vždy noste rukavice, abyste si chránili ruce před odletujícími horkými kovovými třískami.
- Vždy používejte vhodnou ochranu očí splňující požadavky platných národních norem.
- Při řezání kovů vždy používejte vhodnou chladicí kapalinu (řezný olej). V opačném případě dojde k předčasnému opotřebení listu.

Fig.12

Přítlačte patku silně k obrobku. Nenechte nářadí odskakovat. Pilovým listem se zlehka dotkněte obrobku. Nejprve v nižších rychlostí vyřežte vodící drážku. Pak v řezání pokračujte vyšší rychlostí.

Fig.13

Fig.14

- Podle typu vykonávané práce můžete použít přepínací páčku/spoušť.

POZNÁMKA:

- Je-li nástroj provozován nepřetržitě až do vybití akumulátoru, nechte jej po instalaci nabitého akumulátoru před dalším pokračováním v práci v klidu po dobu 15 minut.

ÚDRŽBA

⚠ POZOR:

- Před zahájením kontroly nebo údržby nástroje se vždy přesvědčte, zda je nástroj vypnutý a je odpojen akumulátor.
- Nikdy nepoužívejte benzín, benzen, ředidlo, alkohol či podobné prostředky. Mohlo by tak dojít ke změnám barvy, deformacím či vzniku prasklin.

Kvůli zachování BEZPEČNOSTI a SPOLEHLIVOSTI výrobku musí být opravy a veškerá další údržba či seřizování prováděny autorizovanými servisními středisky firmy Makita a s použitím náhradních dílů Makita.

VOLITELNÉ PŘÍSLUŠENSTVÍ

POZOR:

- Pro váš nástroj Makita, popsáný v tomto návodu, doporučujeme používat toto příslušenství a nástavce. Při použití jiného příslušenství či nástavců může hrozit nebezpečí zranění osob. Příslušenství a nástavce lze používat pouze pro jejich stanovené účely.

Potřebujete-li bližší informace ohledně tohoto příslušenství, obraťte se na vaše místní servisní středisko firmy Makita.

- Pilové listy pro pily ocasky
- Pilové listy k přímočaré pile (pouze pro model DJR145, DJR185)
- Originální akumulátor a nabíječka Makita

POZNÁMKA:

- Některé položky seznamu mohou být k zařízení přibaleny jako standardní příslušenství. Přibalené příslušenství se může v různých zemích lišit.

Makita Jan-Baptist Vinkstraat 2, 3070, Belgium
Makita Corporation Anjo, Aichi, Japan